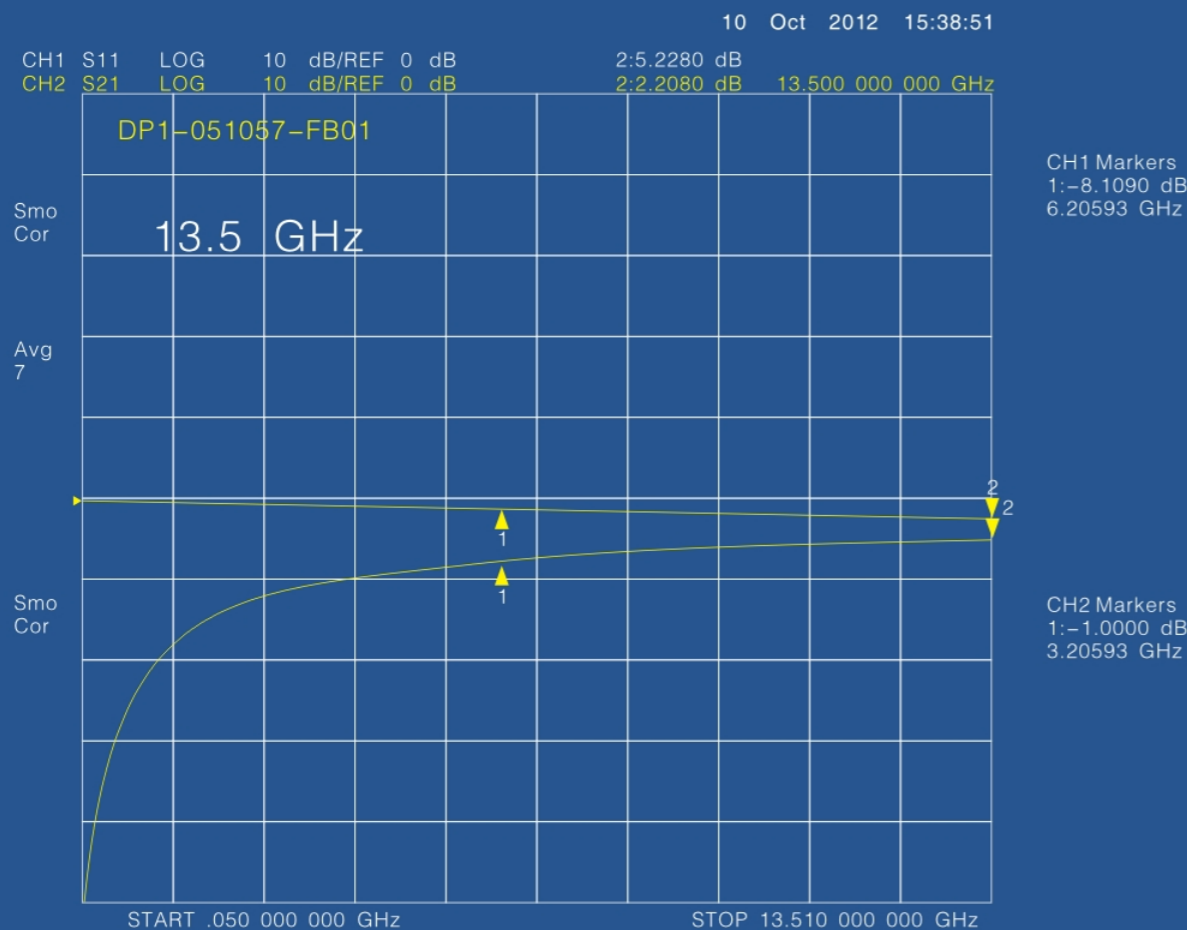


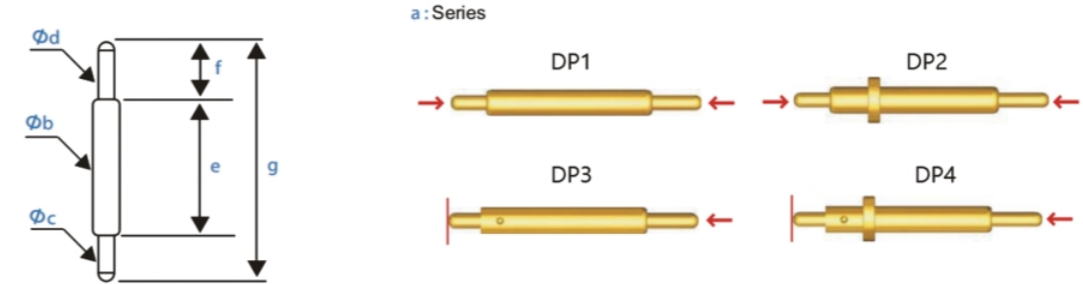


半導體測試針 Semiconductor Test Probes

Measurement Data



SPEC. INTRODUCTION

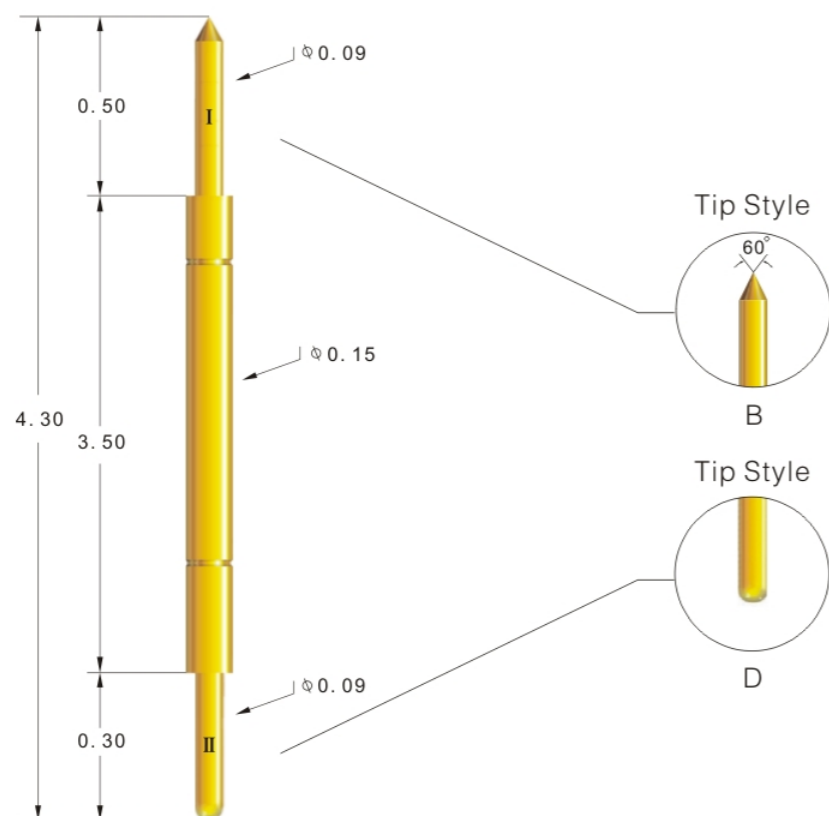


Basic Properties		SPEC.							Page
Minimum Pitch	Products Number	a	b	c	d	e	f	g	
0.25	DP1-015043-BD01	DP1	0.15	0.09	0.09	3.50	0.50	4.30	P. 05
0.30	DP1-021057-FB02	DP1	0.21	0.10	0.10	4.00	1.10	5.70	P. 06
0.35	DP1-026052-FB01	DP1	0.26	0.12	0.17	4.00	0.80	5.28	P. 07
0.40	DP4-029057-BB01	DP4	0.29	0.21	0.15	4.00	1.00	5.70	P. 08
0.40	DP1-030057-FF01	DP1	0.30	0.15	0.15	4.00	1.10	5.70	P. 09
0.40	DP1-030057-FD01	DP1	0.30	0.15	0.15	4.00	1.10	5.70	P. 10
0.40	DP1-030067-FB01	DP1	0.30	0.15	0.18	5.00	1.20	6.70	P. 11
0.45	DP1-035088-FB01	DP1	0.35	0.18	0.18	6.35	1.50	8.85	P. 12
0.45	DP1-035180-BD01	DP1	0.35	0.26	0.26	10.70	4.00	18.00	P. 13
0.45	DP1-035040-FB01	DP1	0.35	0.17	0.17	2.78	0.61	4.00	P. 14
0.45	DP1-035077-FB01	DP1	0.35	0.17	0.25	5.60	1.60	7.70	P. 15
0.45	DP1-035086-FB01	DP1	0.35	0.18	0.18	6.35	1.50	8.65	P. 16
0.50	DP1-038057-FB01	DP1	0.38	0.20	0.2	4.00	1.10	5.70	P. 17
0.50	DP1-038057-FF01	DP1	0.38	0.20	0.2	3.40	1.65	5.70	P. 18
0.50	DP1-038060-BB01	DP1	0.38	0.18	0.18	5.00	0.50	6.00	P. 19
0.50	DP1-038088-FB01	DP1	0.38	0.20	0.2	6.35	1.50	8.85	P. 20
0.60	DP1-048039-FB01	DP1	0.48	0.26	0.26	2.80	0.65	3.95	P. 21
0.65	DP1-051057-FF01	DP1	0.51	0.26	0.26	3.72	1.00	5.72	P. 22
0.65	DP1-051057-FB01	DP1	0.51	0.30	0.3	4.00	1.10	5.70	P. 23
0.65	DP1-051084-FB01	DP1	0.51	0.30	0.3	6.00	1.60	8.45	P. 24
0.70	DP1-055057-FB01	DP1	0.55	0.30	0.3	4.00	1.10	5.70	P. 25
0.70	DP1-057031-FF01	DP1	0.57	0.35	0.35	2.00	0.60	3.10	P. 26
0.70	DP1-057031-FF02	DP1	0.57	0.35	0.35	2.00	0.60	3.10	P. 27
0.70	DP1-057030-FB01	DP1	0.57	0.35	0.35	2.00	0.65	3.00	P. 28
0.70	DP1-058069-FF01	DP1	0.58	0.30	0.3	5.30	0.81	6.92	P. 29
0.70	DP1-058061-BB01	DP1	0.58	0.30	0.36	3.80	1.52	6.13	P. 30
0.70	DP1-058057-FB01	DP1	0.58	0.30	0.3	4.00	1.10	5.70	P. 31
0.70	DP1-058049-FF01	DP1	0.58	0.31	0.31	3.20	1.10	4.90	P. 32
0.70	DP1-058086-FB01	DP1	0.58	0.30	0.38	6.35	1.50	8.65	P. 33
0.70	DP1-058088-FB01	DP1	0.58	0.30	0.38	6.35	1.50	8.85	P. 34
1.00	DP1-078088-FB01	DP1	0.78	0.48	0.55	6.35	1.50	8.85	P. 35
1.00	DP1-085057-FB01	DP1	0.85	0.56	0.56	4.00	1.10	5.70	P. 36
1.35	DP1-110255-BB01	DP1	1.10	0.65	0.65	20.90	2.30	25.50	P. 37



Pitch 0.25mm

DP1-015043-BD01



Mechanical Spec.

Full Stroke	0.50mm
Rated Stroke	0.30mm
Spring Force	5.2gf(1.3 oz) @ Load 0.30mm

Electrical Spec.

Current Rating	0.5A, Continuous
----------------	------------------

Materials

Barrel	Phosphor Bronze, Gold Plated
Plunger	SK4, Gold Plated
Spring	Music Wire, Gold Plated

HOW TO ORDER: DP1-015-043-BD-01

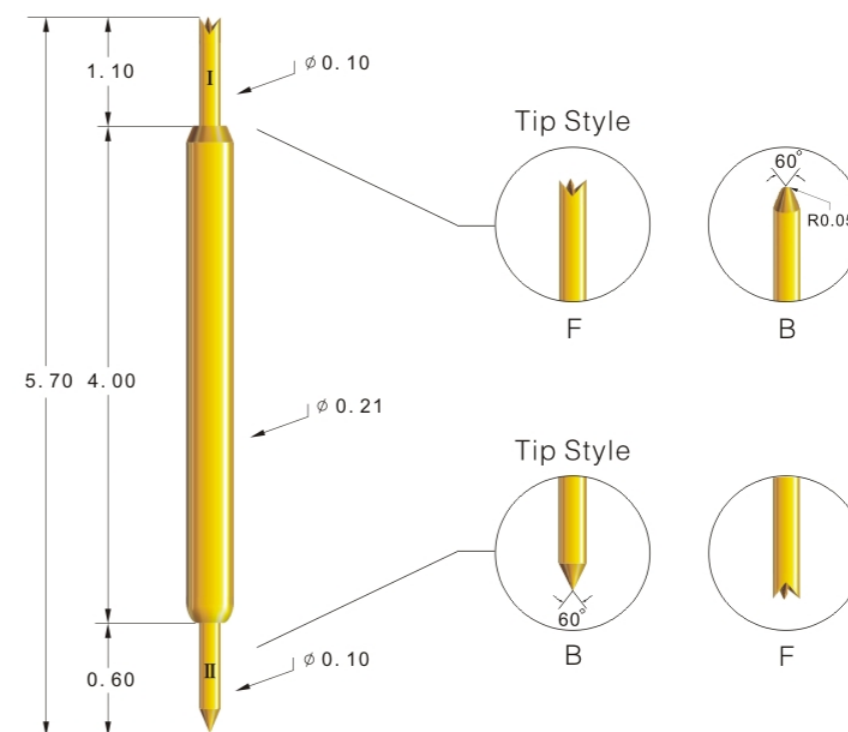
a b c d e f

- a, Series
- b, Diameter
- c, Total Length
- d, Tip Style I
- e, Tip Style II
- f, Version Number

DP4-029-057-BB-01

Pitch 0.30mm

DP1-021057-FB02



Mechanical Spec.

Full Stroke	1.10mm
Rated Stroke	0.60mm
Spring Force	12gf(0.9 oz) @ Load 0.60mm

Electrical Spec.

Current Rating	0.5A, Continuous
Bandwidth	6.52GHz @ -1dB
Propagation Delay	15ps

Materials

Barrel	Phosphor Bronze, Gold Plated.
Plunger	Full-Hard Beryllium Copper, Gold Plated.
Spring	Music Wire, Gold Plated.

HOW TO ORDER: DP1-021-057-FB-02

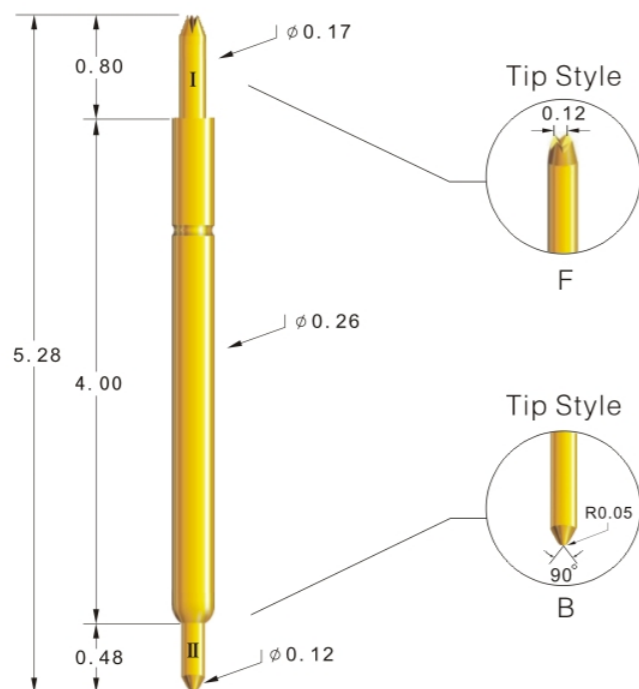
a b c d e f

- a, Series
- b, Diameter
- c, Total Length
- d, Tip Style I
- e, Tip Style II
- f, Version Number



Pitch 0.35mm

DP1-026052-FB01



Mechanical Spec.

Full Stroke	0.80mm
Rated Stroke	0.50mm
Spring Force	21gf(0.7 oz) @ Load 0.50mm

Electrical Spec.

Current Rating	0.5A, Continuous
----------------	------------------

Materials

Barrel	Phosphor Bronze, Gold Plated
Plunger	Full-Hard Beryllium Copper/SK4, Gold Plated
Spring	Music Wire, Gold Plated

HOW TO ORDER: [DP1-026-052-FB-01](#)

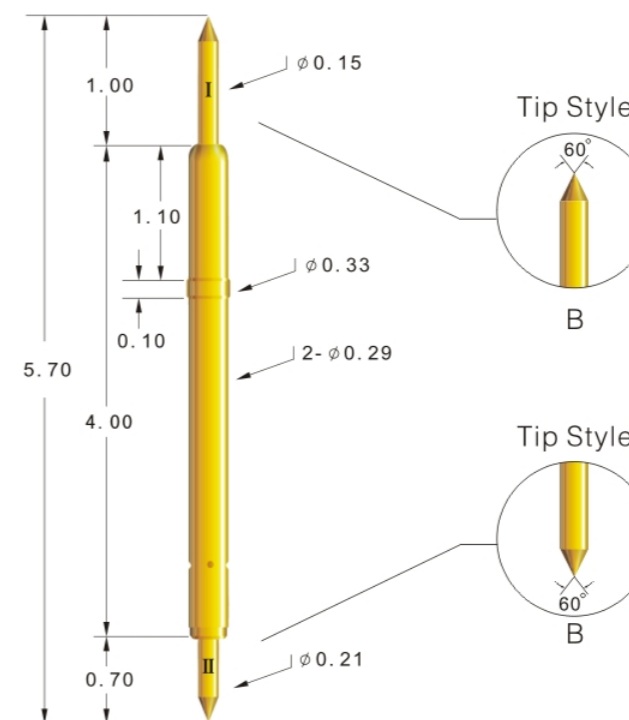
a b c d e f

- a, Series
- b, Diameter
- c, Total Length
- d, Tip Style I
- e, Tip Style II
- f, Version Number



Pitch 0.40mm

DP4-029057-BB01



Mechanical Spec.

Full Stroke	1.00mm
Rated Stroke	0.65mm
Spring Force	14gf(0.5 oz) @ Load 0.65mm

Electrical Spec.

Current Rating	0.5A, Continuous
----------------	------------------

Materials

Plunger I	SK4, Gold Plated
Plunger II	Full-Hard Beryllium Copper, Gold Plated
Spring	Music Wire, Gold Plated

HOW TO ORDER: [DP4-029-057-BB-01](#)

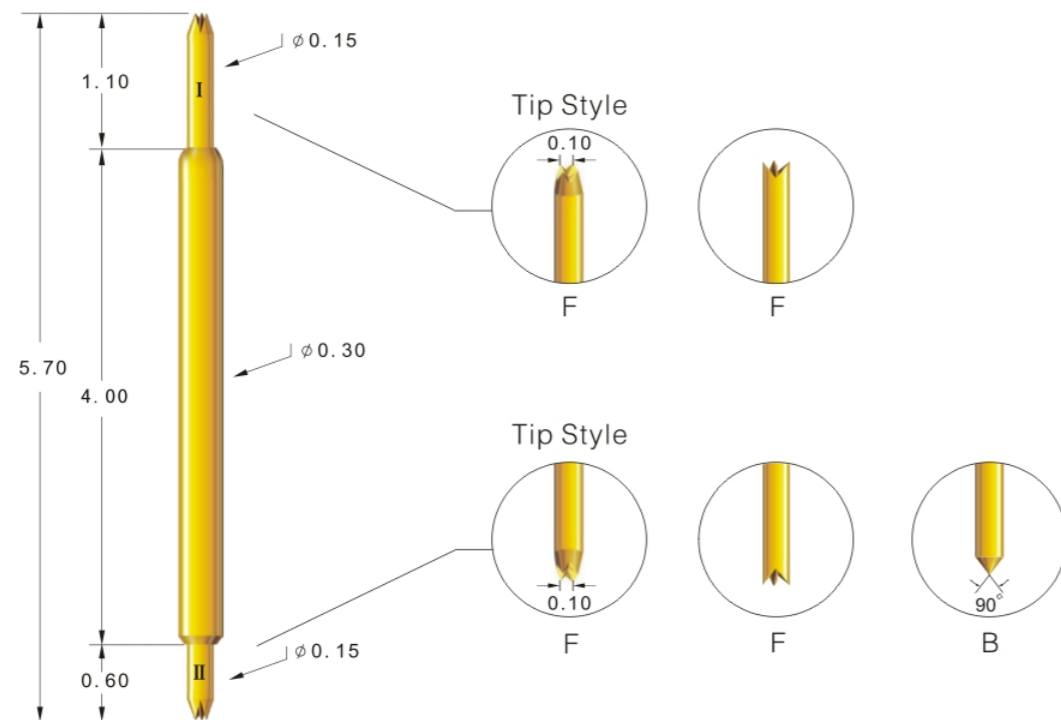
a b c d e f

- a, Series
- b, Diameter
- c, Total Length
- d, Tip Style I
- e, Tip Style II
- f, Version Number



Pitch 0.40mm

DP1-030057-FF01



Mechanical Spec.

Full Stroke	1.10mm
Rated Stroke	0.65mm
Spring Force	10gf(0.35 oz) @ Load 0.65mm

Electrical Spec.

Current Rating	0.5A, Continuous
----------------	------------------

Materials

Barrel	Phosphor Bronze, Gold Plated
Plunger	Full-Hard Beryllium Copper, Gold Plated
Spring	Music Wire, Gold Plated

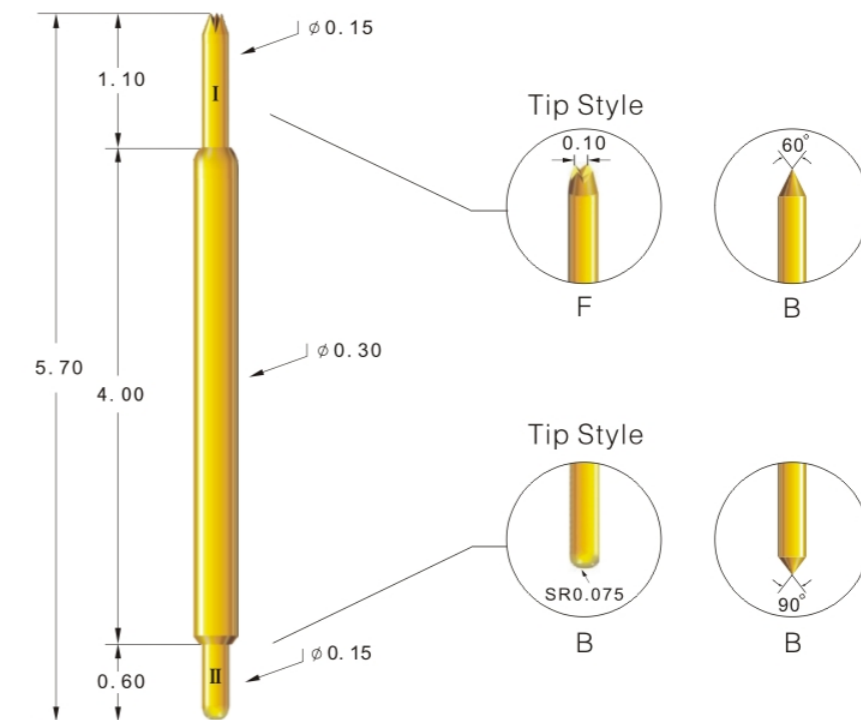
HOW TO ORDER: DP1-030-057-FF-01

a b c d e f

- a, Series
- b, Diameter
- c, Total Length
- d, Tip Style I
- e, Tip Style II
- f, Version Number

Pitch 0.40mm

DP1-030057-FD01



Mechanical Spec.

Full Stroke	1.10mm
Rated Stroke	0.65mm
Spring Force	10gf(0.35 oz) @ Load 0.65mm

Electrical Spec.

Current Rating	0.5A, Continuous
----------------	------------------

Materials

Barrel	Phosphor Bronze, Gold Plated
Plunger I	SK4, Gold Plated
Plunger II	Full-Hard Beryllium Copper, Gold Plated
Spring	Music Wire, Gold Plated

HOW TO ORDER: DP1-030-057-FD-01

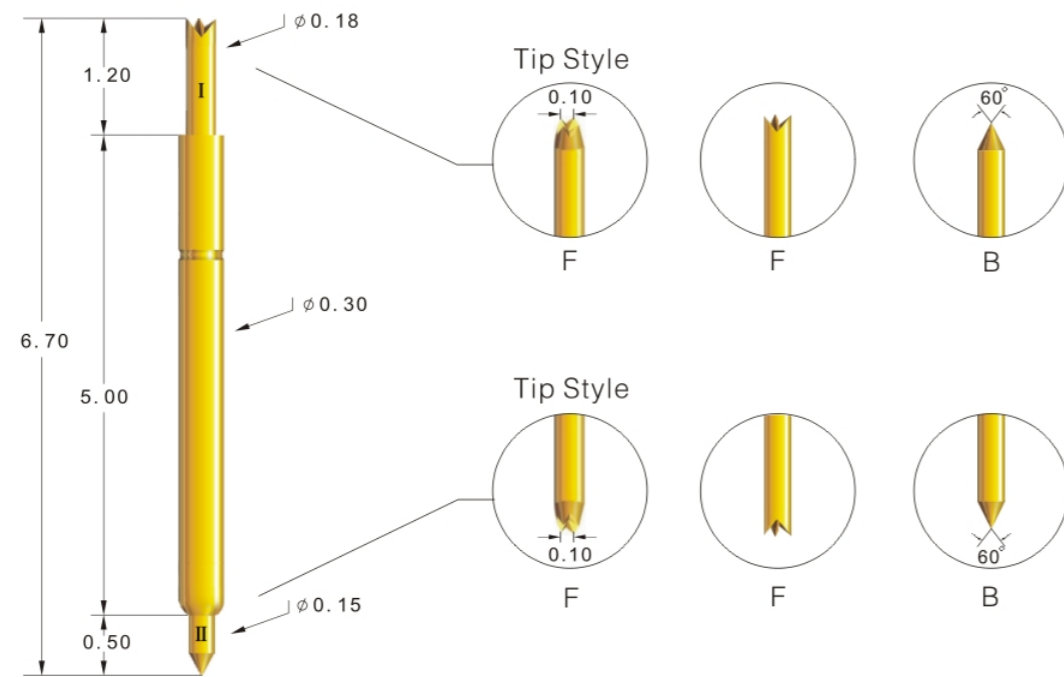
a b c d e f

- a, Series
- b, Diameter
- c, Total Length
- d, Tip Style I
- e, Tip Style II
- f, Version Number



Pitch 0.40mm

DP1-030067-FB01



Mechanical Spec.

Full Stroke	1.00mm
Rated Stroke	0.80mm
Spring Force	12gf(0.4 oz) @ Load 0.80mm

Electrical Spec.

Current Rating	0.5A, Continuous
----------------	------------------

Materials

Barrel	Phosphor Bronze, Gold Plated
Plunger I	SK4, Gold Plated
Plunger II	Full-Hard Beryllium Copper, Gold Plated
Spring	Music Wire, Gold Plated

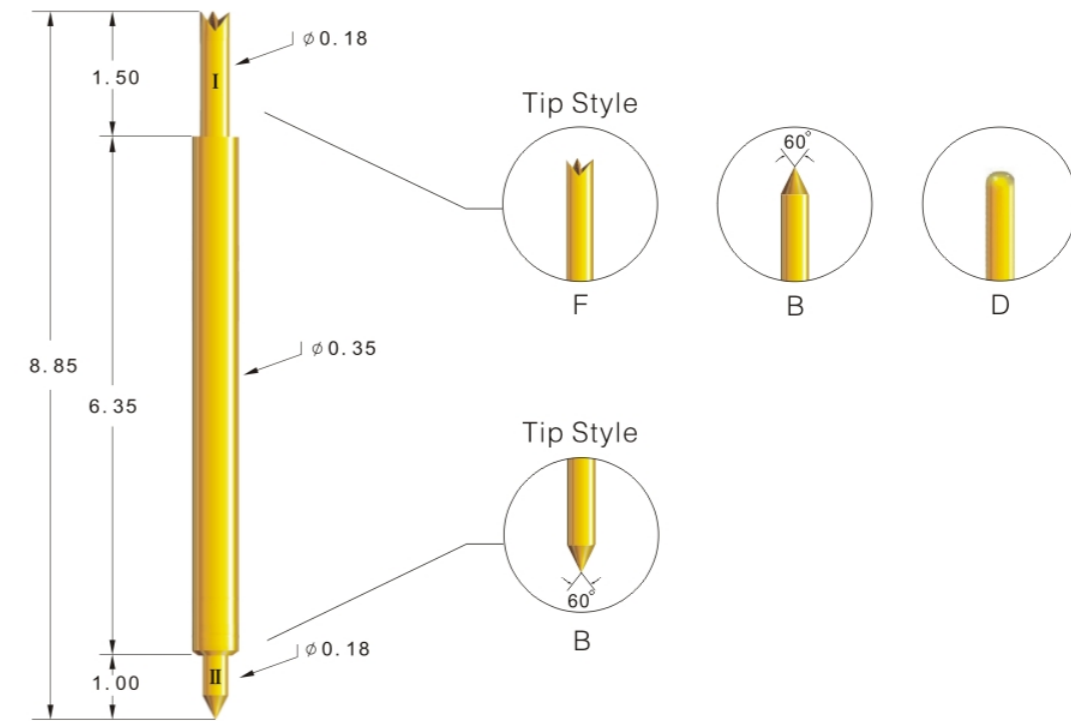
HOW TO ORDER: DP1-030-067-FB-01

a b c d e f

- a, Series
- b, Diameter
- c, Total Length
- d, Tip Style I
- e, Tip Style II
- f, Version Number

Pitch 0.45mm

DP1-035088-FB01



Mechanical Spec.

Full Stroke	1.30mm
Rated Stroke	0.80mm
Spring Force	22gf(0.8 oz) @ Load 0.80mm

Electrical Spec.

Current Rating	0.5A, Continuous
----------------	------------------

Materials

Barrel	Phosphor Bronze, Gold Plated
Plunger	Full-Hard Beryllium Copper, Gold Plated
Spring	Music Wire, Gold Plated

HOW TO ORDER: DP1-035-088-FB-01

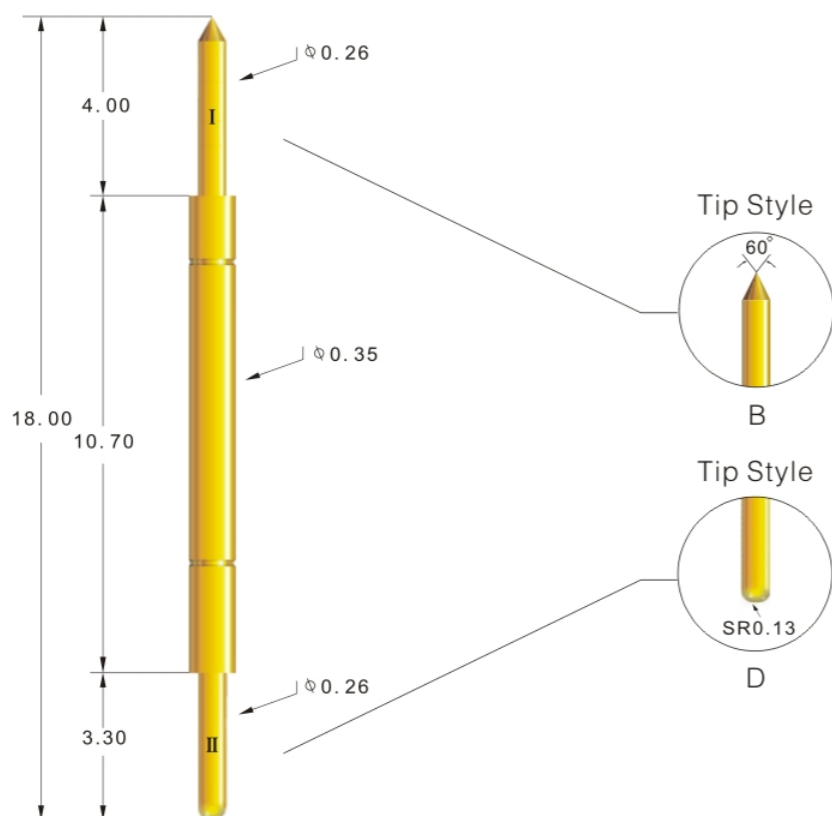
a b c d e f

- a, Series
- b, Diameter
- c, Total Length
- d, Tip Style I
- e, Tip Style II
- f, Version Number



Pitch 0.45mm

DP1-035180-BD01



Mechanical Spec.

Full Stroke	1.50mm
Rated Stroke	1.00mm
Spring Force	38gf(1.3 oz) @ Load 1.00mm

Electrical Spec.

Current Rating	0.5A, Continuous
----------------	------------------

Materials

Barrel	Phosphor Bronze, Gold Plated
Plunger	SK4, Gold Plated
Spring	Music Wire, Gold Plated

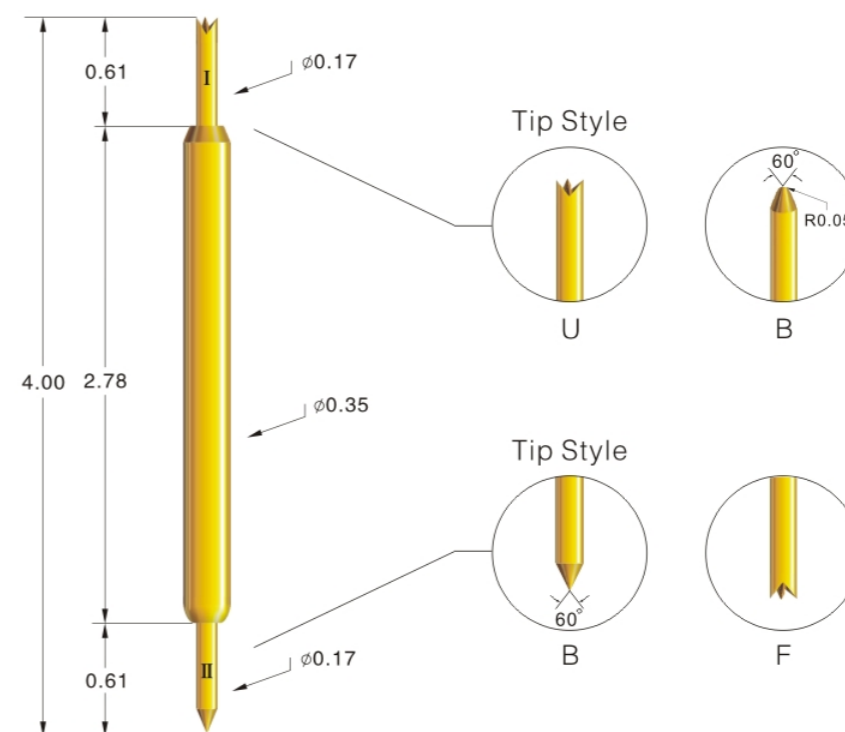
HOW TO ORDER: DP1-035180-BD-01

a b c d e f

- a, Series
- b, Diameter
- c, Total Length
- d, Tip Style I
- e, Tip Style II
- f, Version Number

Pitch 0.45mm

DP1-035040-FB01



Mechanical Spec.

Full Stroke	0.60mm
Rated Stroke	0.40mm
Spring Force	26gf(0.9 oz) @ Load 0.40mm

Electrical Spec.

Current Rating	0.5A, Continuous
Bandwidth	6.52GHz @ - 1dB
Propagation Delay	15ps

Materials

Barrel	Phosphor Bronze, Gold Plated.
Plunger	Full-Hard Beryllium Copper, Gold Plated.
Spring	Music Wire, Gold Plated.

HOW TO ORDER: DP1-035-040-FB-01

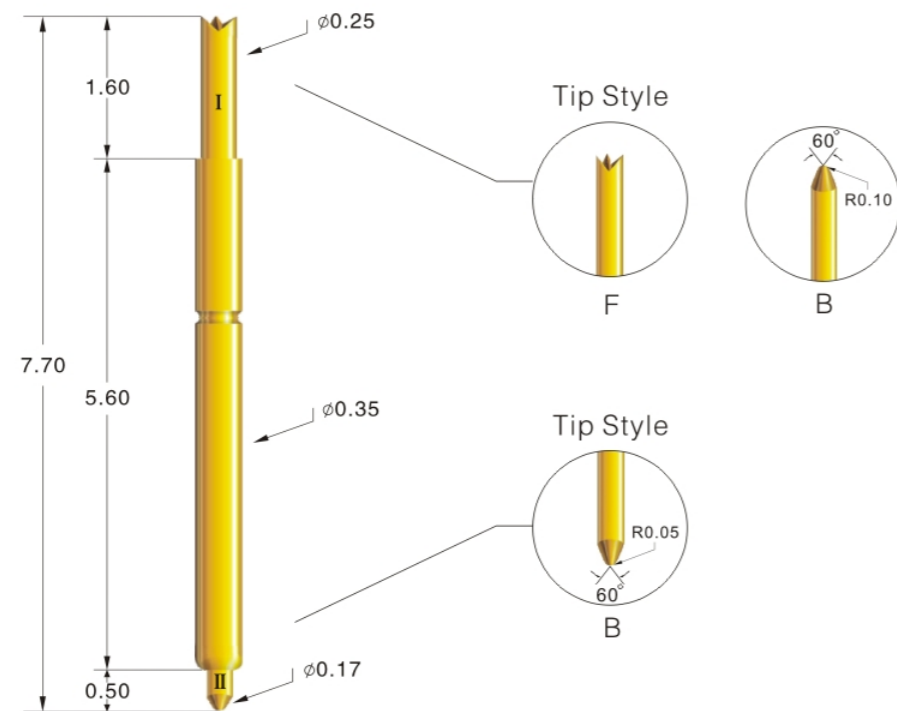
a b c d e f

- a, Series
- b, Diameter
- c, Total Length
- d, Tip Style I
- e, Tip Style II
- f, Version Number



Pitch 0.45mm

DP1-035077-FB01



Mechanical Spec.

Full Stroke	1.00mm
Rated Stroke	0.50mm
Spring Force	18gf(0.65 oz) @ Load 0.50mm

Electrical Spec.

Current Rating	0.5A, Continuous
Bandwidth	2.85GHz @ -1dB
Propagation Delay	40ps

Materials

Barrel	Phosphor Bronze , Gold Plated.
Plunger	Full-Hard Beryllium Copper. Gold Plated.
Spring	Music Wire, Gold Plated

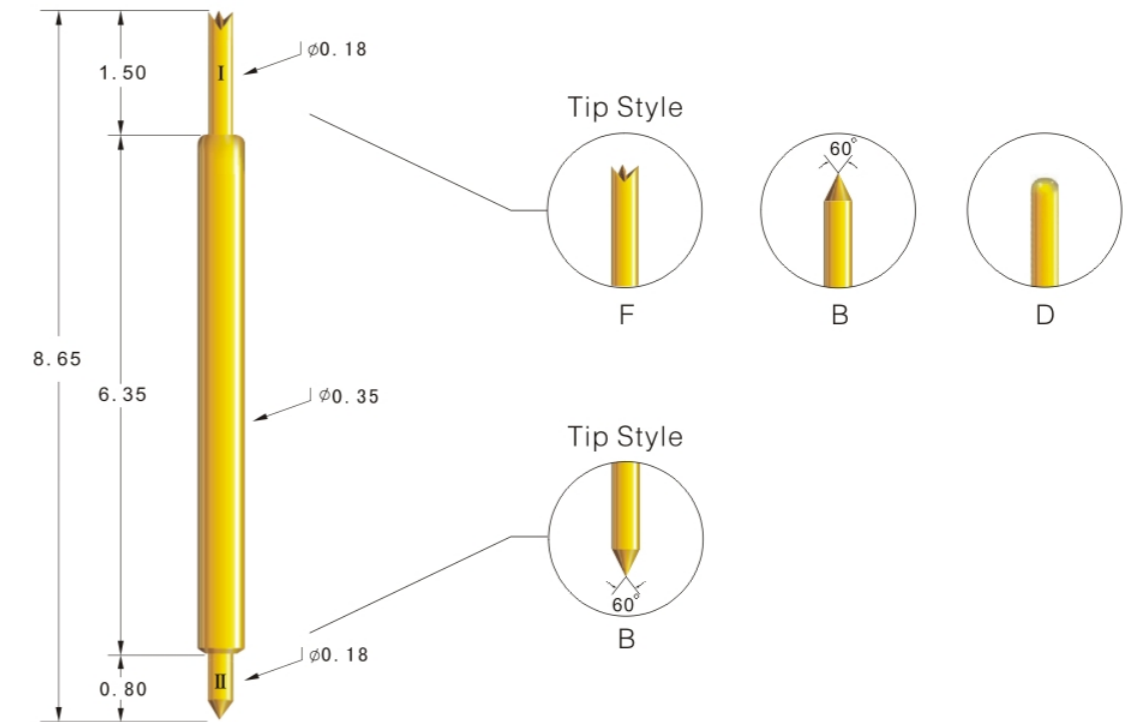
HOW TO ORDER: [DP1-035-077-FB-01](#)

a b c d e f

- a, Series
- b, Diameter
- c, Total Length
- d, Tip Style I
- e, Tip Style II
- f, Version Number

Pitch 0.45mm

DP1-035086-FB01



Mechanical Spec.

Full Stroke	1.30mm
Rated Stroke	0.80mm
Spring Force	20gf(0.8 oz) @ Load 0.80mm

Electrical Spec.

Current Rating	0.5A, Continuous
Bandwidth	2 GHz@-1dB
Propagation Delay	42 ps

Materials

Barrel	Phosphor Bronze , Gold Plated.
Plunger	Full-Hard Beryllium Copper. Gold Plated
Spring	Music Wire, Gold Plated.

HOW TO ORDER: [DP1-035-086-FB-01](#)

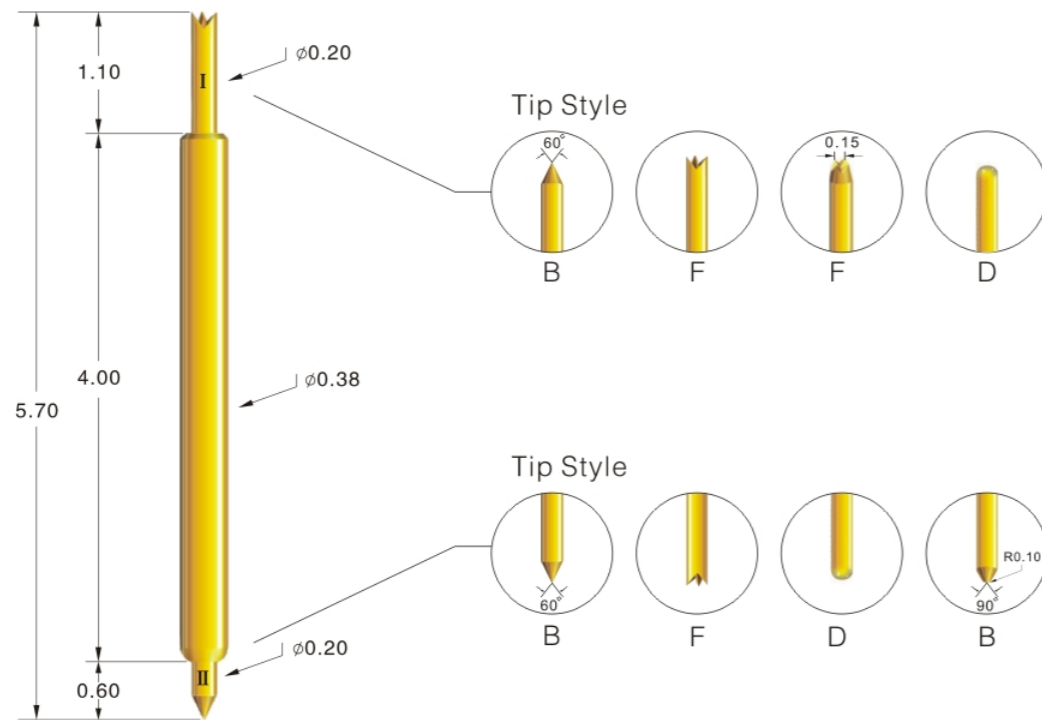
a b c d e f

- a, Series
- b, Diameter
- c, Total Length
- d, Tip Style I
- e, Tip Style II
- f, Version Number



Pitch 0.50mm

DP1-038057-FB01



Mechanical Spec.

Full Stroke	1.10mm
Rated Stroke	0.65mm
Spring Force	30gf(1.1 oz) @ Load 0.65mm

Electrical Spec.

Current Rating	0.5A, Continuous
Bandwidth	4.7GHz @ -1dB
Propagation Delay	25ps

Materials

Barrel	Phosphor Bronze , Gold Plated.
Plunger	Full-Hard Beryllium Copper. Gold Plated.
Spring	Music Wire, Gold Plated.

HOW TO ORDER: [DP1-038-057-FB-01](#)

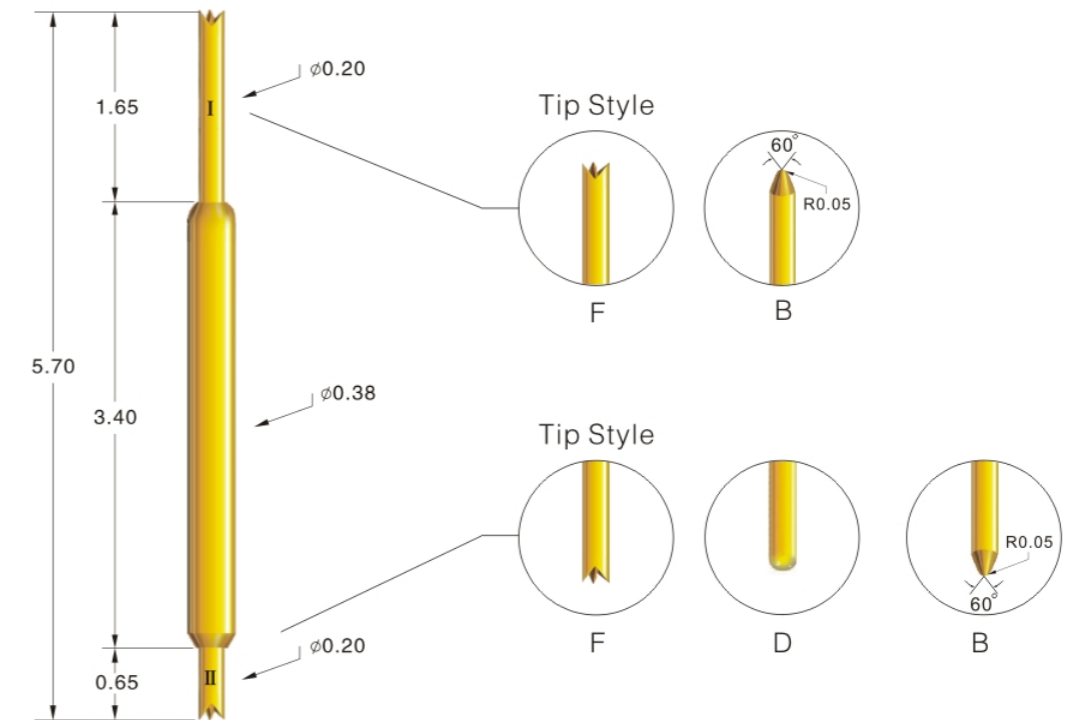
a b c d e f

- a, Series
- b, Diameter
- c, Total Length
- d, Tip Style I
- e, Tip Style II
- f, Version Number



Pitch 0.50mm

DP1-038057-FF01



Mechanical Spec.

Full Stroke	1.10mm
Rated Stroke	0.80mm
Spring Force	25gf(0.9 oz) @ Load 0.80mm

Electrical Spec.

Current Rating	0.5A, Continuous
Bandwidth	4.3GHz @ -1dB
Propagation Delay	27ps

Materials

Barrel	Phosphor Bronze , Gold Plated.
Plunger	Full-Hard Beryllium Copper. Gold Plated.
Spring	Music Wire, Gold Plated.

HOW TO ORDER: [DP1-038-057-FF-01](#)

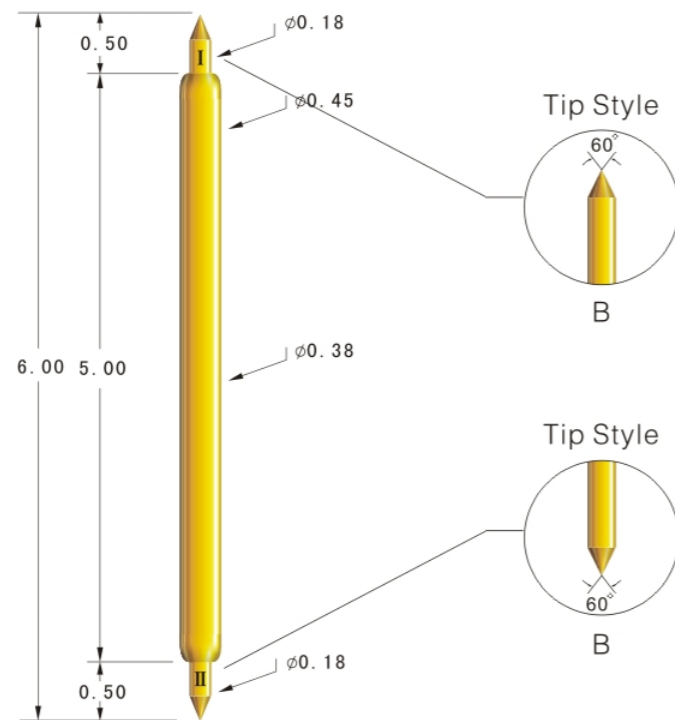
a b c d e f

- a, Series
- b, Diameter
- c, Total Length
- d, Tip Style I
- e, Tip Style II
- f, Version Number



Pitch 0.50mm

DP1-038060-BB01



Mechanical Spec.

Full Stroke	1.00mm
Rated Stroke	0.60mm
Spring Force	25gf(0.9 oz) @ Load 0.60mm

Electrical Spec.

Current Rating	0.5A, Continuous
Bandwidth	4.2GHz @ - 1dB
Propagation Delay	27ps

Materials

Barrel	Phosphor Bronze , Gold Plated.
Plunger	Full-Hard Beryllium Copper. Gold Plated.
Spring	Music Wire, Gold Plated.

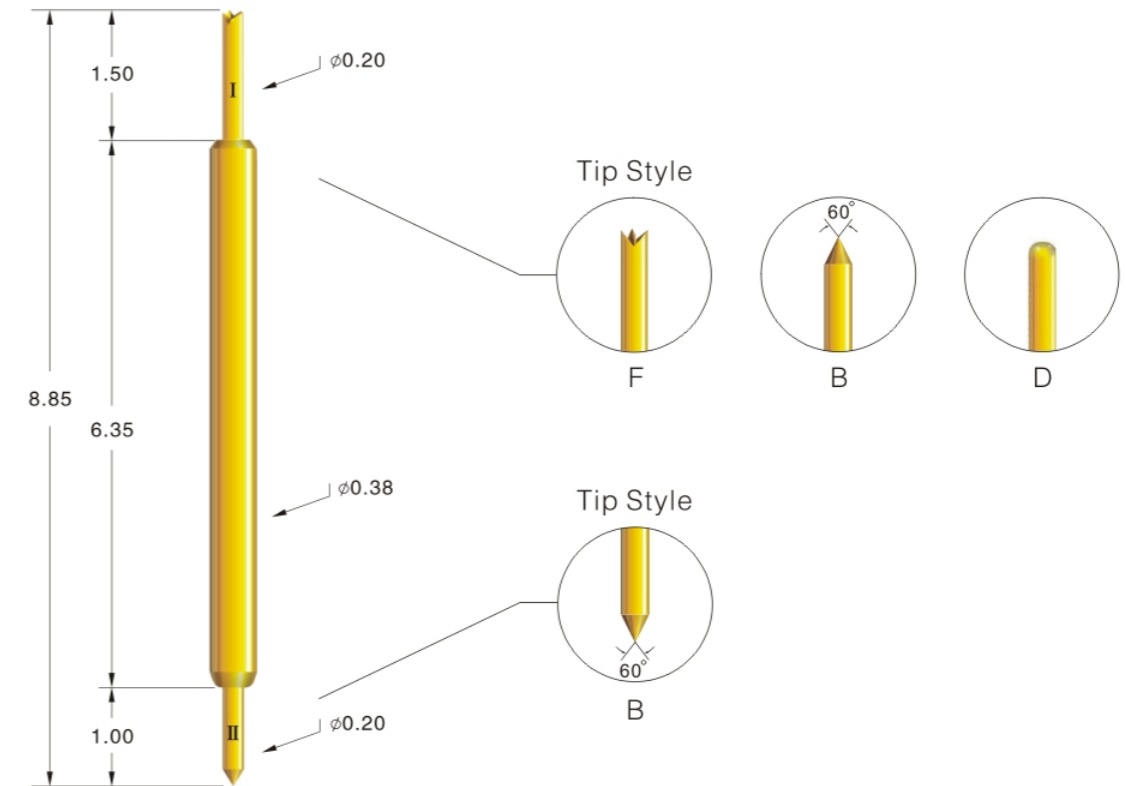
HOW TO ORDER: [DP1-038-060-BB-01](#)

a b c d e f

- a, Series
- b, Diameter
- c, Total Length
- d, Tip Style I
- e, Tip Style II
- f, Version Number

Pitch 0.50mm

DP1-038088-FB01



Mechanical Spec.

Full Stroke	2.00mm
Rated Stroke	0.70mm
Spring Force	23gf(0.8 oz) @ Load 0.70mm

Electrical Spec.

Current Rating	0.5A, Continuous
Bandwidth	2.3GHz @ - 1dB
Propagation Delay	44ps

Materials

Barrel	Phosphor Bronze , Gold Plated.
Plunger	Full-Hard Beryllium Copper. Gold Plated.
Spring	Music Wire, Gold Plated.

HOW TO ORDER: [DP1-038-088-FB-01](#)

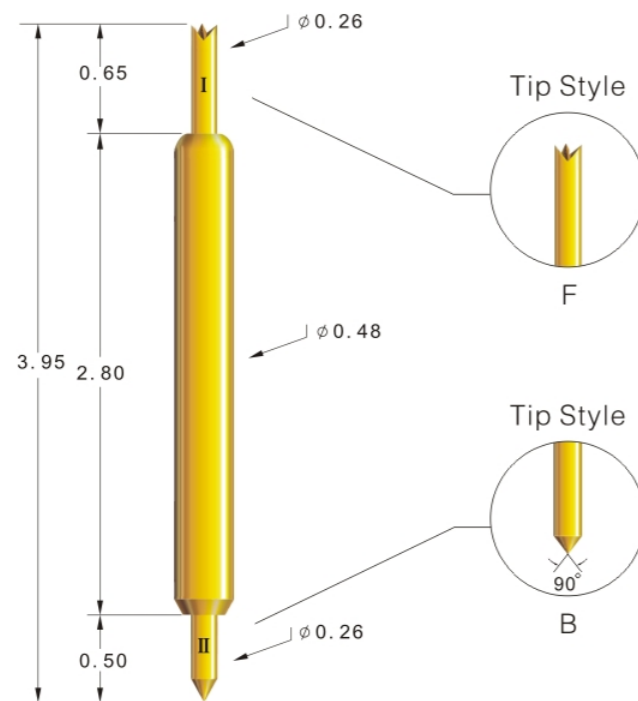
a b c d e f

- a, Series
- b, Diameter
- c, Total Length
- d, Tip Style I
- e, Tip Style II
- f, Version Number



Pitch 0.60mm

DP1-048039-FB01



Mechanical Spec.

Full Stroke	1.00mm
Rated Stroke	0.60mm
Spring Force	28gf(1 oz) @ Load 0.60mm

Electrical Spec.

Current Rating	1.0A, Continuous
----------------	------------------

Materials

Barrel	Phosphor Bronze, Gold Plated
Plunger	Full-Hard Beryllium Copper, Gold Plated
Spring	Music Wire, Gold Plated

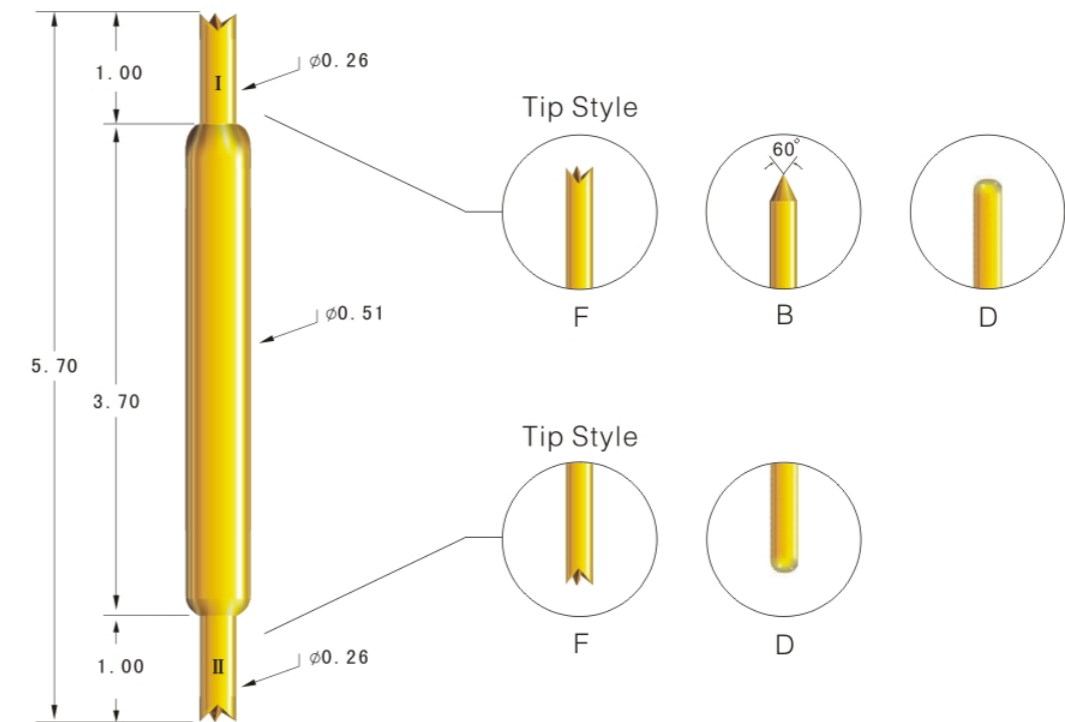
HOW TO ORDER: [DP1-048-039-FB-01](#)

a b c d e f

- a, Series
- b, Diameter
- c, Total Length
- d, Tip Style I
- e, Tip Style II
- f, Version Number

Pitch 0.65mm

DP1-051057-FF01



Mechanical Spec.

Full Stroke	1.30mm
Rated Stroke	0.95mm
Spring Force	15/20gf(0.5/1.0 oz) @ Load 0.95mm

Electrical Spec.

Current Rating	1.0A, Continuous
Bandwidth	5.5GHz @ -1dB
Propagation Delay	26ps

Materials

Barrel	Phosphor Bronze, Gold Plated.
Plunger	Full-Hard Beryllium Copper, Gold Plated.
Spring	Music Wire, Gold Plated

HOW TO ORDER: [DP1-051-057-FF-01](#)

a b c d e f

- a, Series
- b, Diameter
- c, Total Length
- d, Tip Style I
- e, Tip Style II
- f, Version Number

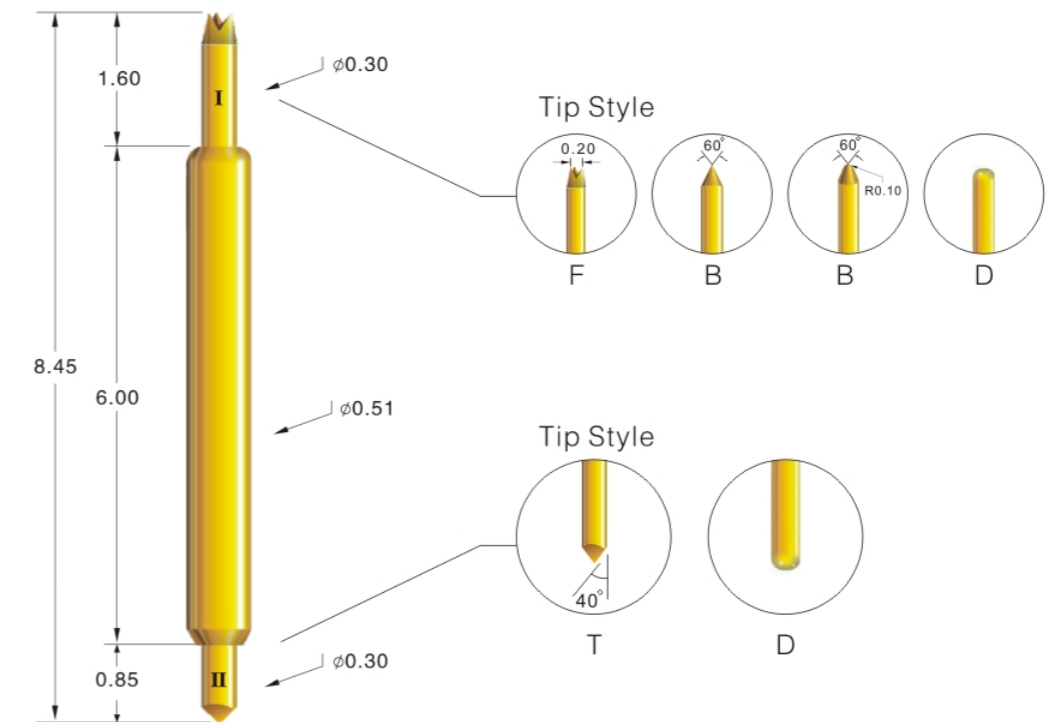
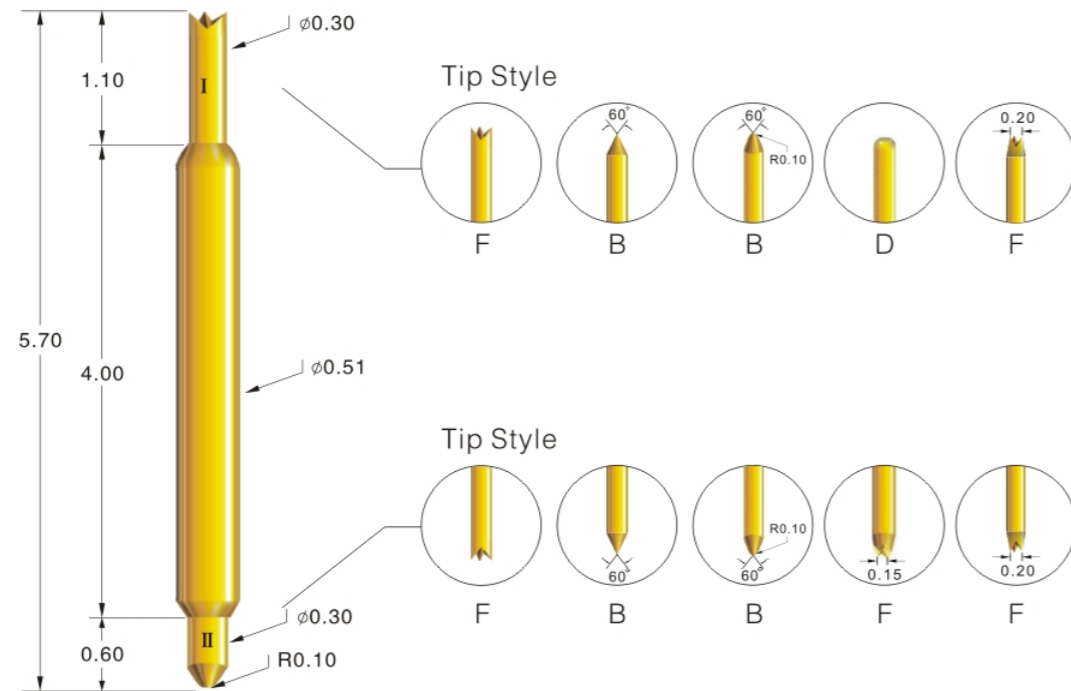


Pitch 0.65mm

DP1-O51057-FB01

Pitch 0.65mm

DP1-051084-FB01



Mechanical Spec.

Full Stroke	1.10mm
Rated Stroke	0.65mm
Spring Force	22gf(0.7 oz) @ Load 0.65mm

Electrical Spec.

Current Rating	1.0A, Continuous
Bandwidth	6.1GHz @ - 1dB
Propagation Delay	24ps

Materials

Barrel	Phosphor Bronze , Gold Plated.
Plunger	Full-Hard Beryllium Copper. Gold Plated.
Spring	Music Wire, Gold Plated.

HOW TO ORDER: DP1-051-057-FB-01

a b c d e f

- a, Series
- b, Diameter
- c, Total Length
- d, Tip Style I
- e, Tip Style II
- f, Version Number

Mechanical Spec.

Full Stroke	1.95mm
Rated Stroke	1.20mm
Spring Force	32gf(1.1 oz) @ Load 1.20mm

Electrical Spec.

Current Rating	1.0A, Continuous
Bandwidth	3.20GHz @ - 1dB
Propagation Delay	42ps

Materials

Barrel	Phosphor Bronze , Gold Plated.
Plunger	Full-Hard Beryllium Copper. Gold Plated.
Spring	Music Wire, Gold Plated.

HOW TO ORDER: DP1-051-084-FB-01

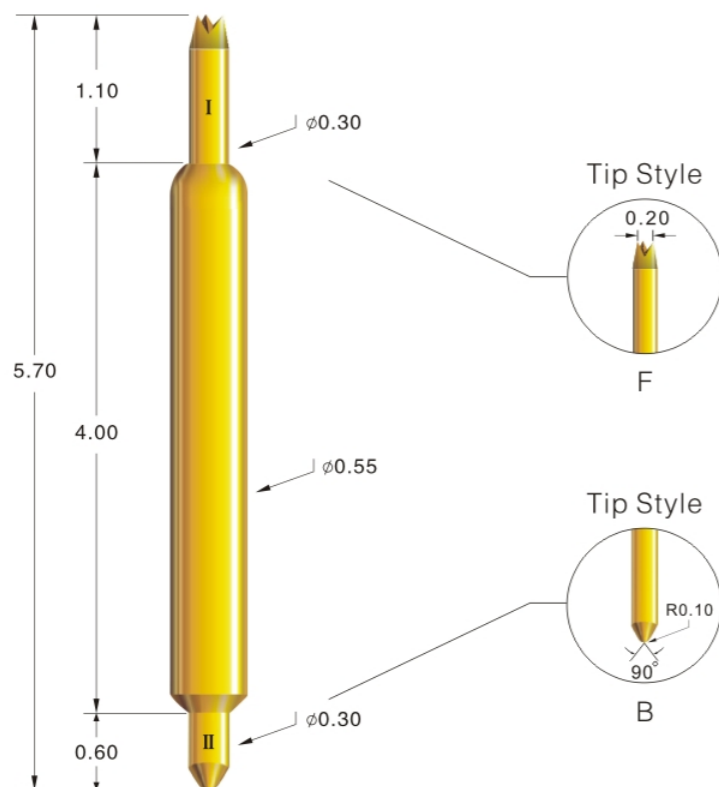
a b c d e f

- a, Series
- b, Diameter
- c, Total Length
- d, Tip Style I
- e, Tip Style II
- f, Version Number



Pitch 0.70mm

DP1-055057-FB01



Mechanical Spec.

Full Stroke	0.80mm
Rated Stroke	0.65mm
Spring Force	26gf(0.9 oz) @ Load 0.65mm

Electrical Spec.

Current Rating	2.0A, Continuous
Bandwidth	6.52GHz @ - 1dB
Propagation Delay	25ps

Materials

Barrel	Phosphor Bronze , Gold Plated.
Plunger	Full-Hard Beryllium Copper. Gold Plated.
Spring	Music Wire, Gold Plated.

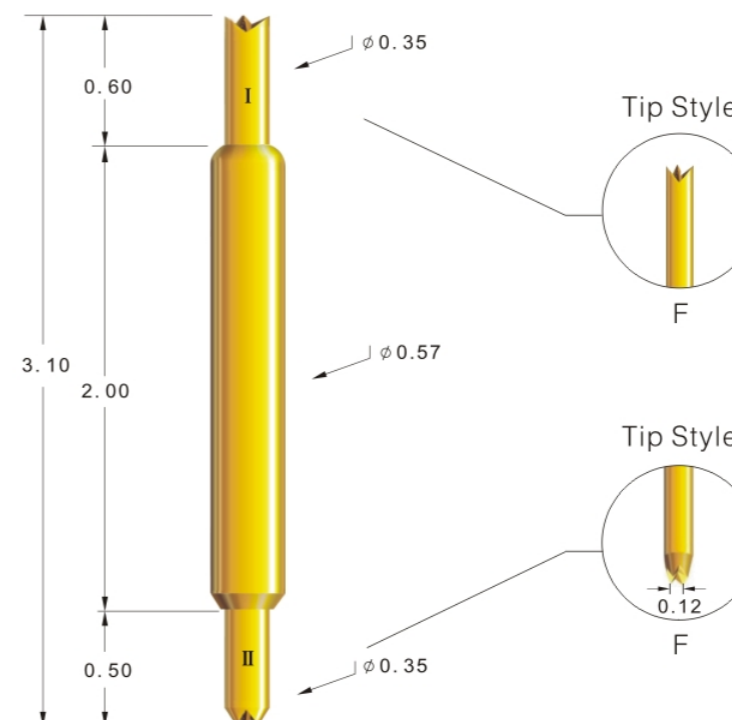
HOW TO ORDER: [DP1-055-057-FB-01](#)

a b c d e f

- a, Series
- b, Diameter
- c, Total Length
- d, Tip Style I
- e, Tip Style II
- f, Version Number

Pitch 0.70mm

DP1-057031-FF01



Mechanical Spec.

Full Stroke	0.60mm
Rated Stroke	0.50mm
Spring Force	25gf(0.9 oz) @ Load 0.50mm

Electrical Spec.

Current Rating	2.0A, Continuous
----------------	------------------

Materials

Barrel	Phosphor Bronze, Gold Plated
Plunger	Full-Hard Beryllium Copper, Gold Plated
Spring	Music Wire, Gold Plated

HOW TO ORDER: [DP1-057-031-FF-01](#)

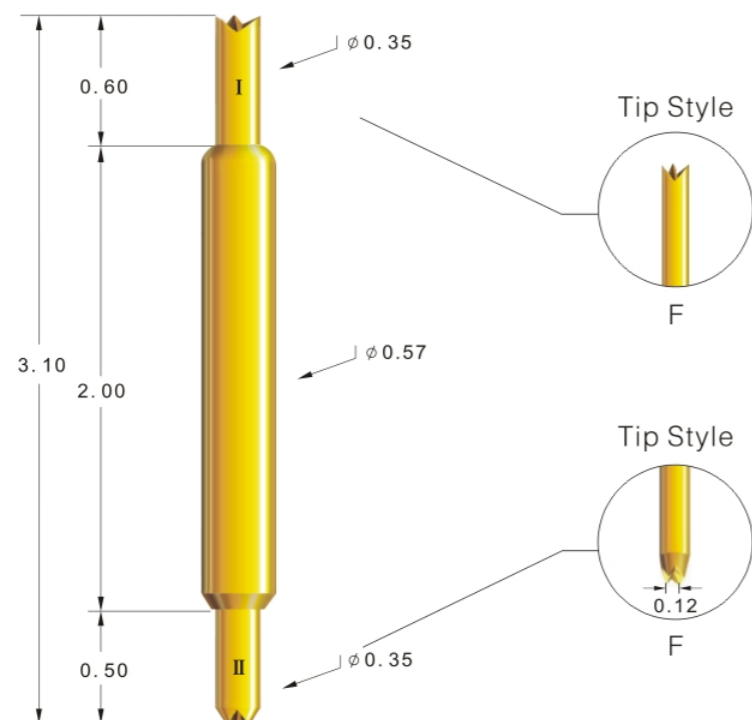
a b c d e f

- a, Series
- b, Diameter
- c, Total Length
- d, Tip Style I
- e, Tip Style II
- f, Version Number



Pitch 0.70mm

DP1-057031-FF02



Mechanical Spec.

Full Stroke	0.60mm
Rated Stroke	0.50mm
Spring Force	52gf(1.8 oz) @ Load 0.50mm

Electrical Spec.

Current Rating	2.0A, Continuous
----------------	------------------

Materials

Barrel	Phosphor Bronze, Gold Plated
Plunger	Full-Hard Beryllium Copper, Gold Plated
Spring	Music Wire, Gold Plated

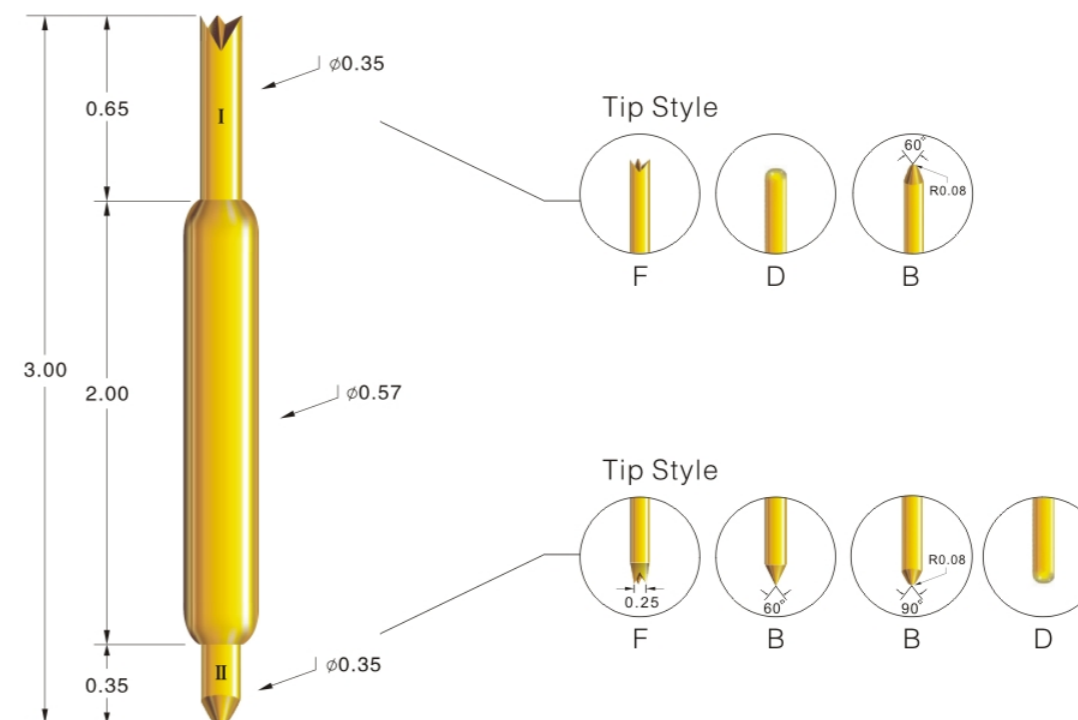
HOW TO ORDER: DP1-057-031-FF-02

a b c d e f

- a, Series
- b, Diameter
- c, Total Length
- d, Tip Style I
- e, Tip Style II
- f, Version Number

Pitch 0.70mm

DP1-057030-FB01



Mechanical Spec.

Full Stroke	0.63mm
Rated Stroke	0.50mm
Spring Force	45gf(1.6 oz) @ Load 0.50mm

Electrical Spec.

Current Rating	2.0A, Continuous
Bandwidth	11.3GHz @ -1dB
Propagation Delay	7ps

Materials

Barrel	Phosphor Bronze, Gold Plated.
Plunger	Full-Hard Beryllium Copper, Gold Plated.
Spring	Music Wire, Gold Plated.

HOW TO ORDER: DP1-057-030-FB-01

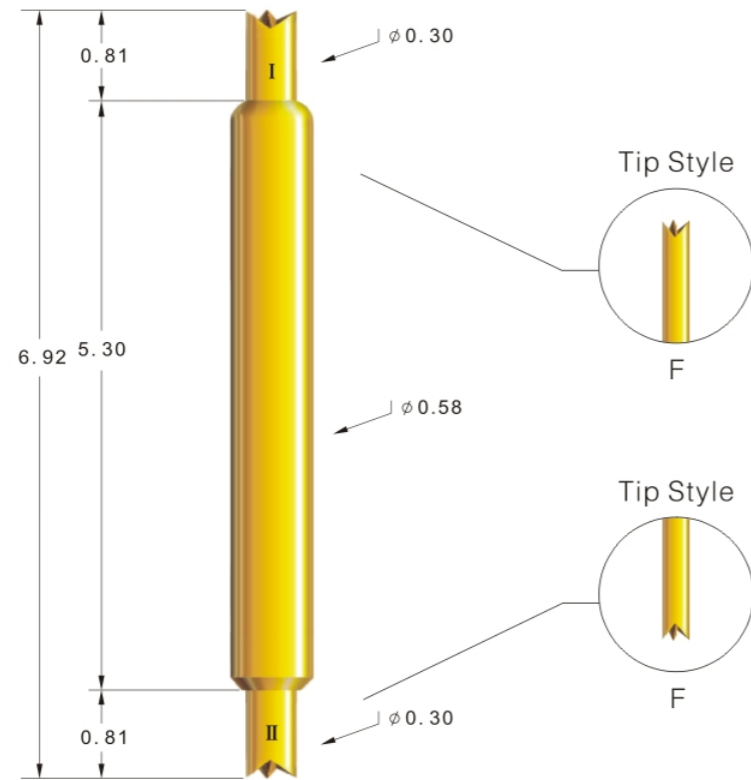
a b c d e f

- a, Series
- b, Diameter
- c, Total Length
- d, Tip Style I
- e, Tip Style II
- f, Version Number



Pitch 0.70mm

DP1-058069-FF01



Mechanical Spec.

Full Stroke	1.00mm
Rated Stroke	0.70mm
Spring Force	56gf(2.0 oz) @ Load 0.70mm

Electrical Spec.

Current Rating	2.0A, Continuous
----------------	------------------

Materials

Barrel	Phosphor Bronze, Gold Plated
Plunger	SK4, Gold Plated
Spring	Music Wire, Gold Plated

HOW TO ORDER: [DP1-058-069-FF-01](#)

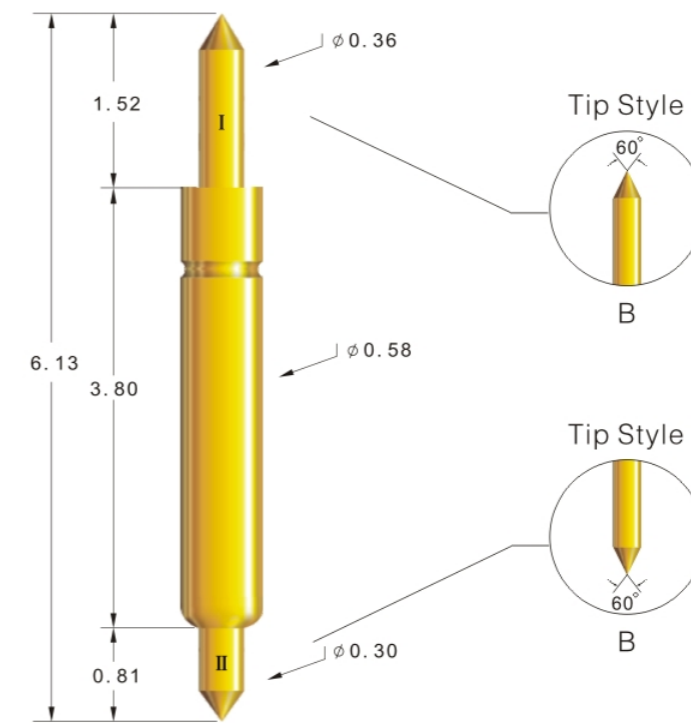
a b c d e f

- a, Series
- b, Diameter
- c, Total Length
- d, Tip Style I
- e, Tip Style II
- f, Version Number



Pitch 0.70mm

DP1-058061-BB01



Mechanical Spec.

Full Stroke	1.00mm
Rated Stroke	0.75mm
Spring Force	30gf(1.1 oz) @ Load 0.75mm

Electrical Spec.

Current Rating	2.0A, Continuous
----------------	------------------

Materials

Barrel	Phosphor Bronze, Gold Plated
Plunger	Full-Hard Beryllium Copper, Gold Plated
Spring	Music Wire, Gold Plated

HOW TO ORDER: [DP1-058-061-BB-01](#)

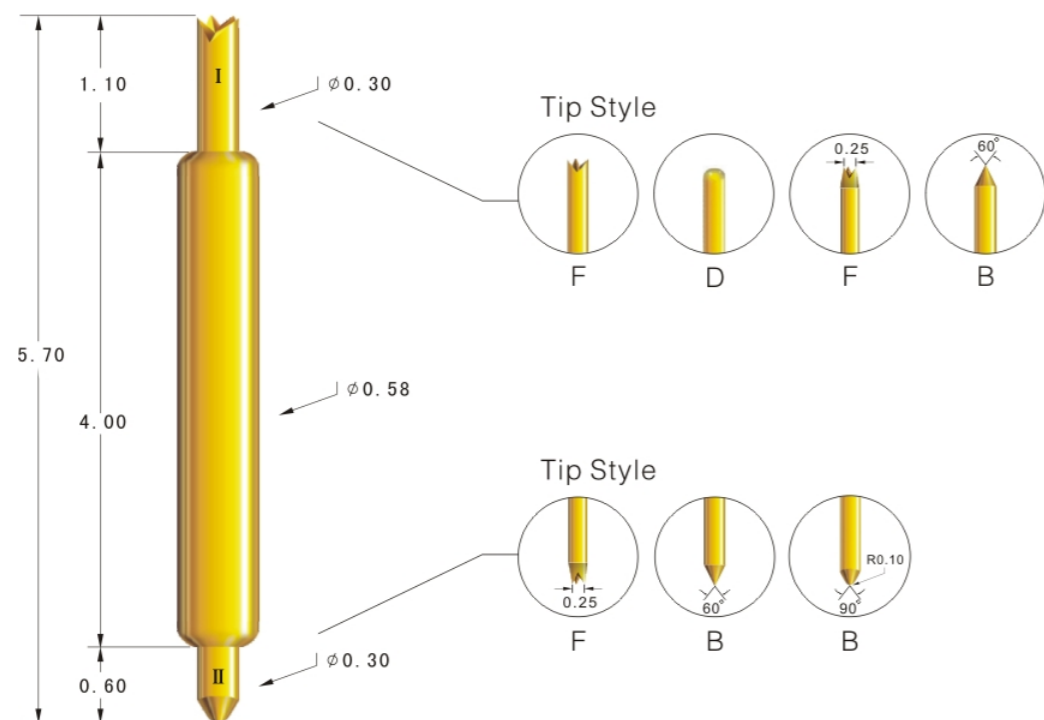
a b c d e f

- a, Series
- b, Diameter
- c, Total Length
- d, Tip Style I
- e, Tip Style II
- f, Version Number



Pitch 0.70mm

DP1-058057-FB01



Mechanical Spec.

Full Stroke	1.10mm
Rated Stroke	0.65mm
Spring Force	15/26gf(0.5/0.9 oz) @ Load 0.65mm

Electrical Spec.

Current Rating	2.0A, Continuous
Bandwidth	7.6GHz @ - 1dB
Propagation Delay	21ps

Materials

Barrel	Phosphor Bronze , Gold Plated.
Plunger	Full-Hard Beryllium Copper. Gold Plated.
Spring	Music Wire, Gold Plated.

HOW TO ORDER: [DP1-058-057-FB-01](#)

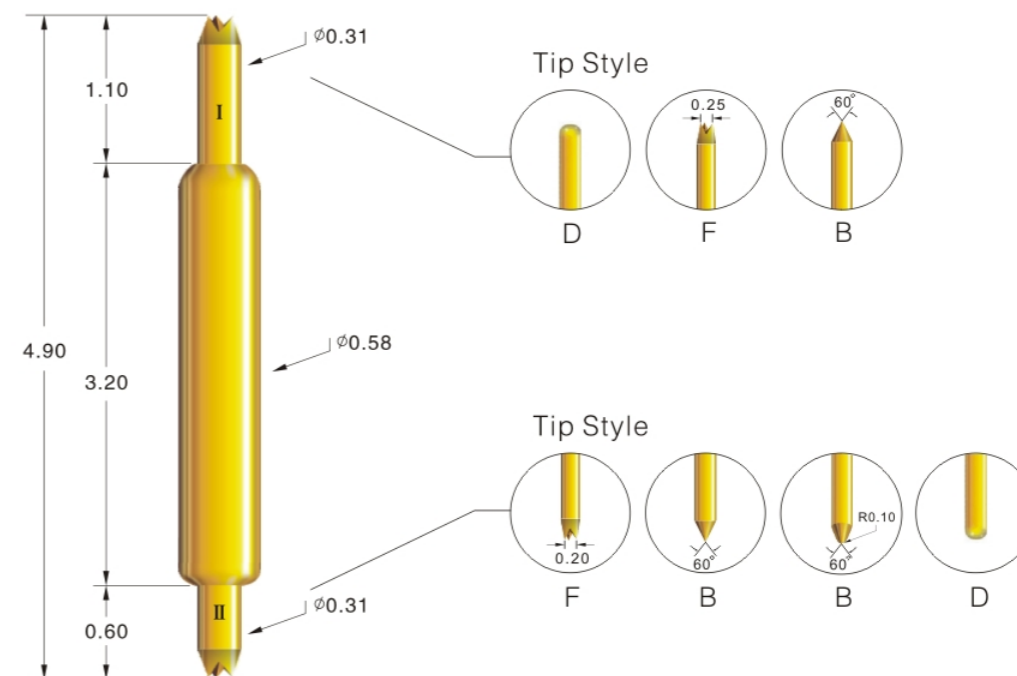
a b c d e f

- a, Series
- b, Diameter
- c, Total Length
- d, Tip Style I
- e, Tip Style II
- f, Version Number



Pitch 0.70mm

DP1-058049-FF01



Mechanical Spec.

Full Stroke	0.80mm
Rated Stroke	0.65mm
Spring Force	30gf(1.1 oz) @ Load 0.65mm

Electrical Spec.

Current Rating	2.0A, Continuous
Bandwidth	3.8 GHz @ - 1dB
Propagation Delay	40ps

Materials

Barrel	Phosphor Bronze , Gold Plated.
Plunger	Fu-Hard Beryllium Copper. Gold Plated.
Spring	Music Wire, Gold Plated.

HOW TO ORDER: [DP1-058-049-FF-01](#)

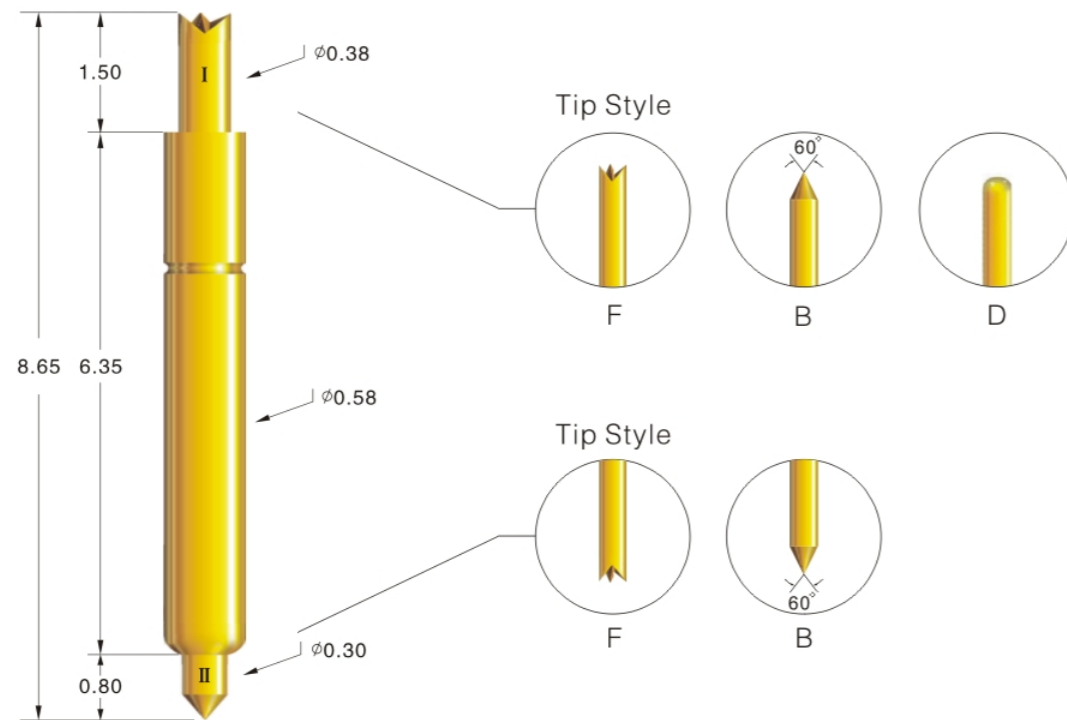
a b c d e f

- a, Series
- b, Diameter
- c, Total Length
- d, Tip Style I
- e, Tip Style II
- f, Version Number



Pitch 0.70mm

DP1-058086-FB01



Mechanical Spec.

Full Stroke	1.20mm
Rated Stroke	0.80mm
Spring Force	35gf(1.2 oz) @ Load 0.80mm

Electrical Spec.

Current Rating	2.0A, Continuous
Bandwidth	7.6GHz @ - 1dB
Propagation Delay	21ps

Materials

Barrel	Phosphor Bronze , Gold Plated.
Plunger	Full-Hard Beryllium Copper. Gold Plated.
Spring	Music Wire, Gold Plated

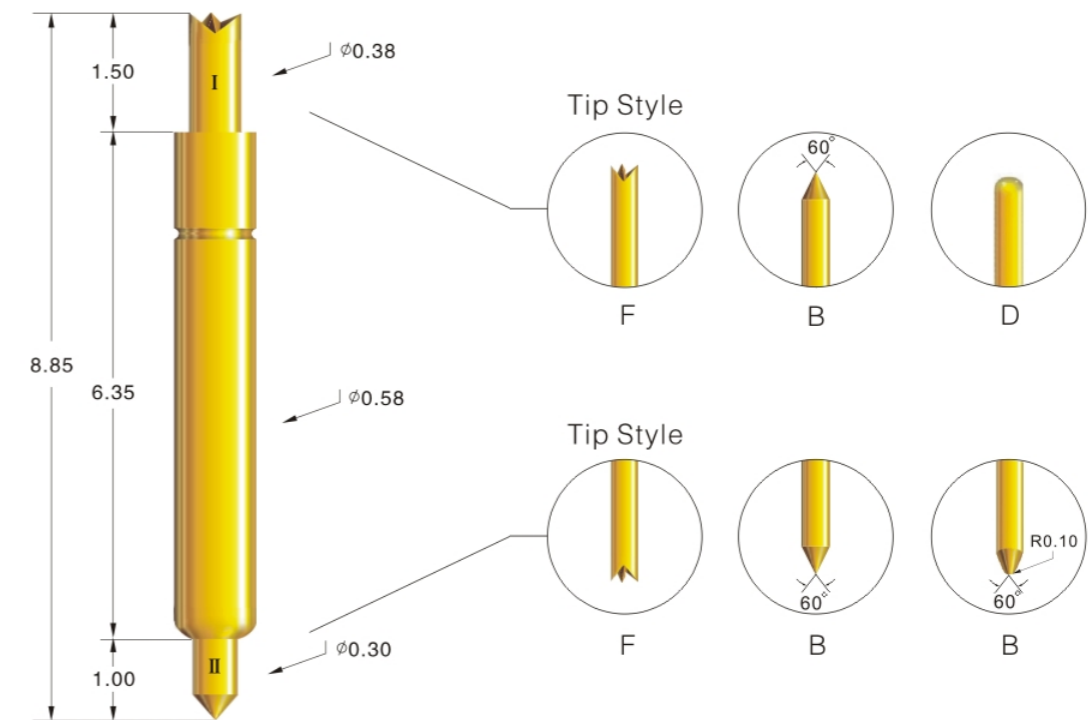
HOW TO ORDER: DP1-058-086-FB-01

a b c d e f

- a, Series
- b, Diameter
- c, Total Length
- d, Tip Style I
- e, Tip Style II
- f, Version Number

Pitch 0.70mm

DP1-058088-FB01



Mechanical Spec.

Full Stroke	1.20mm
Rated Stroke	0.80mm
Spring Force	35gf(1.2 oz) @ Load 0.80mm

Electrical Spec.

Current Rating	2.0A, Continuous
Bandwidth	3.8GHz @ - 1dB
Propagation Delay	40ps

Materials

Barrel	Phosphor Bronze , Gold Plated.
Plunger	Full-Hard Beryllium Copper. Gold Plated.
Spring	Music Wire, Gold Plated.

HOW TO ORDER: DP1-058-088-FB-01

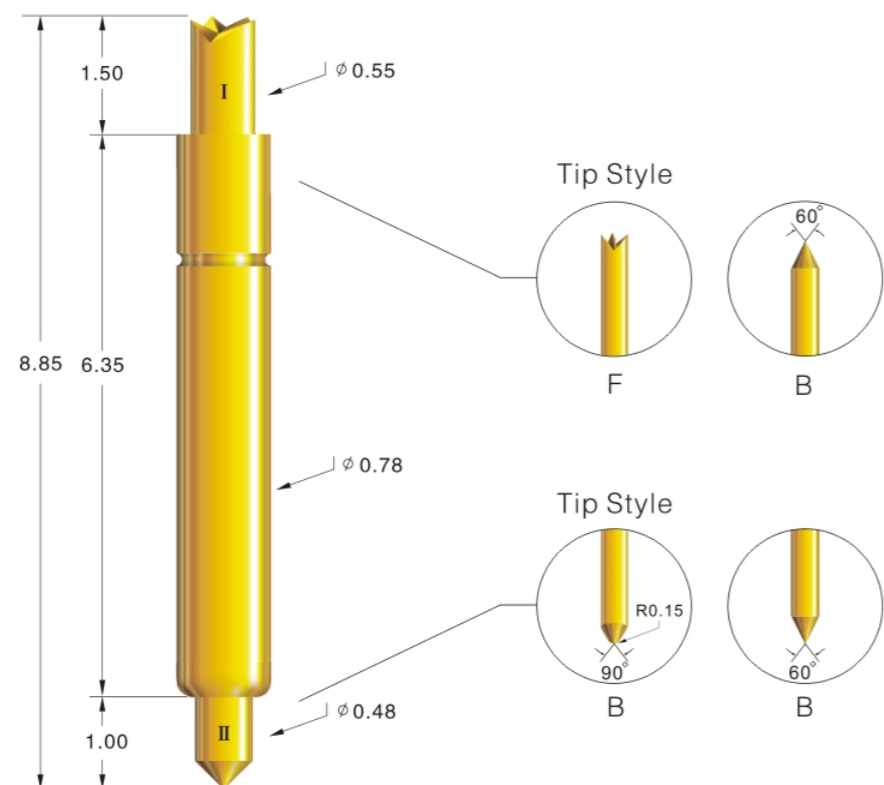
a b c d e f

- a, Series
- b, Diameter
- c, Total Length
- d, Tip Style I
- e, Tip Style II
- f, Version Number



Pitch 1.00mm

DP1-078088-FB01



Mechanical Spec.

Full Stroke	1.80mm
Rated Stroke	0.80mm
Spring Force	30gf(1.1 oz) @ Load 0.80mm

Electrical Spec.

Current Rating	3.0A, Continuous
Bandwidth	13GHz @ - 1dB
Propagation Delay	37ps

Materials

Barrel	Phosphor Bronze , Gold Plated.
Plunger	Full-Hard Beryllium Copper. Gold Plated.
Spring	Music Wire, Gold Plated.

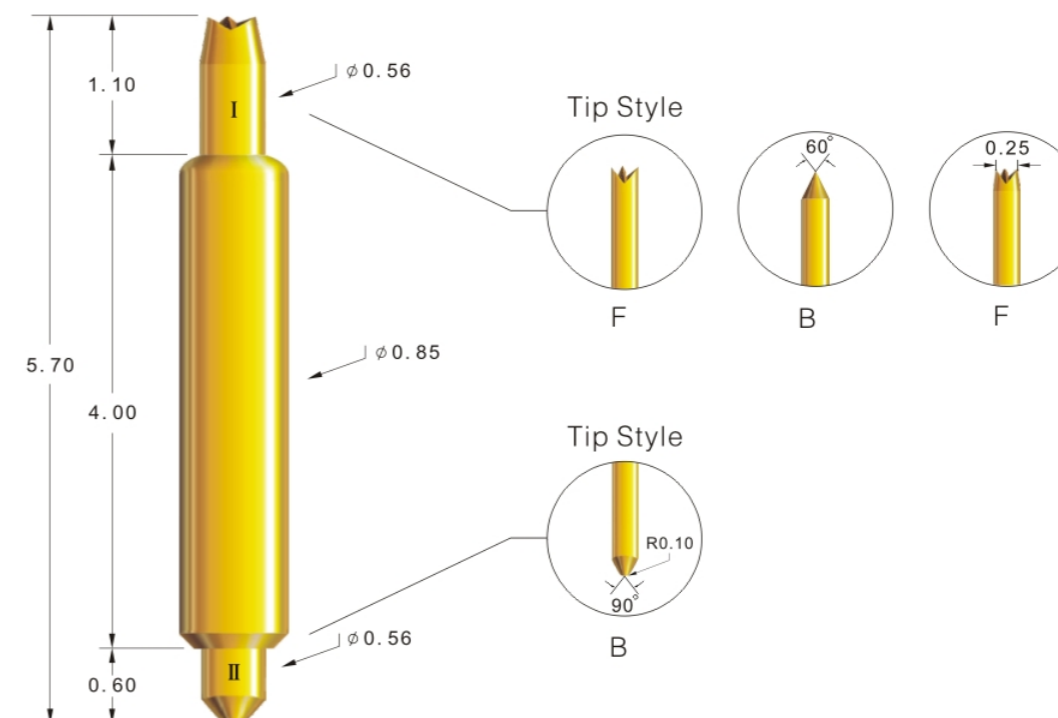
HOW TO ORDER: DP1-078-088-FB-01

a b c d e f

- a, Series
- b, Diameter
- c, Total Length
- d, Tip Style I
- e, Tip Style II
- f, Version Number

Pitch 1.00mm

DP1-085057-FB01



Mechanical Spec.

Full Stroke	1.10mm
Rated Stroke	0.65mm
Spring Force	22gf(0.8 oz) @ Load 0.65mm

Electrical Spec.

Current Rating	3.0A, Continuous
----------------	------------------

Materials

Barrel	Phosphor Bronze, Gold Plated
Plunger	Full-Hard Beryllium Copper, Gold Plated
Spring	Music Wire, Gold Plated

HOW TO ORDER: DP1-085-057-FB-01

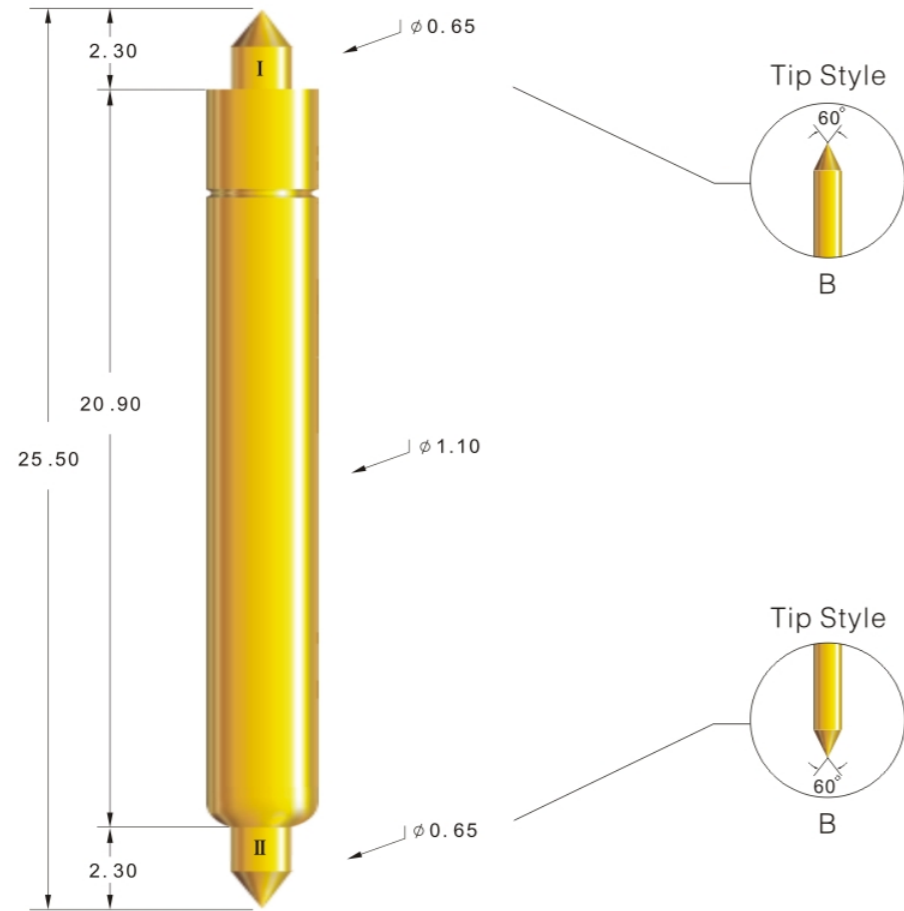
a b c d e f

- a, Series
- b, Diameter
- c, Total Length
- d, Tip Style I
- e, Tip Style II
- f, Version Number



Pitch 1.35mm

DP1-110255-BB01



Mechanical Spec.

Full Stroke	3.60mm
Rated Stroke	2.20mm
Spring Force	45gf(1.6 oz) @ Load 2.20mm

Electrical Spec.

Current Rating	4.0A, Continuous
----------------	------------------

Materials

Barrel	Phosphor Bronze, Gold Plated
Plunger	Full-Hard Beryllium Copper, Gold Plated
Spring	Music Wire, Gold Plated

HOW TO ORDER: DP1-110-255-FB-01

a b c d e f

- a, Series
- b, Diameter
- c, Total Length
- d, Tip Style I
- e, Tip Style II
- f, Version Number



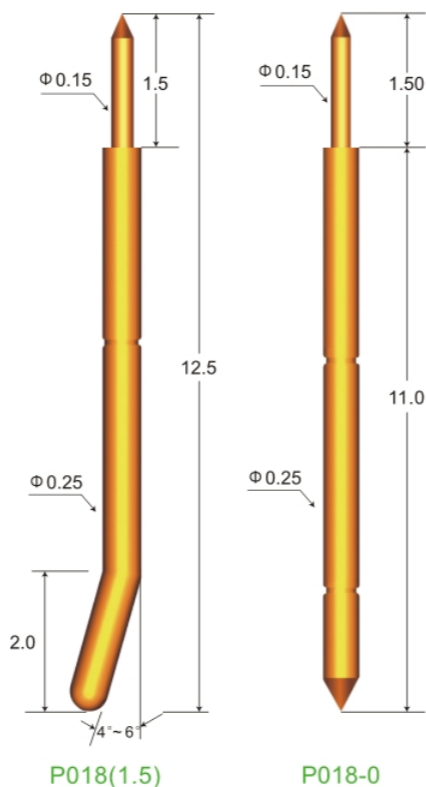
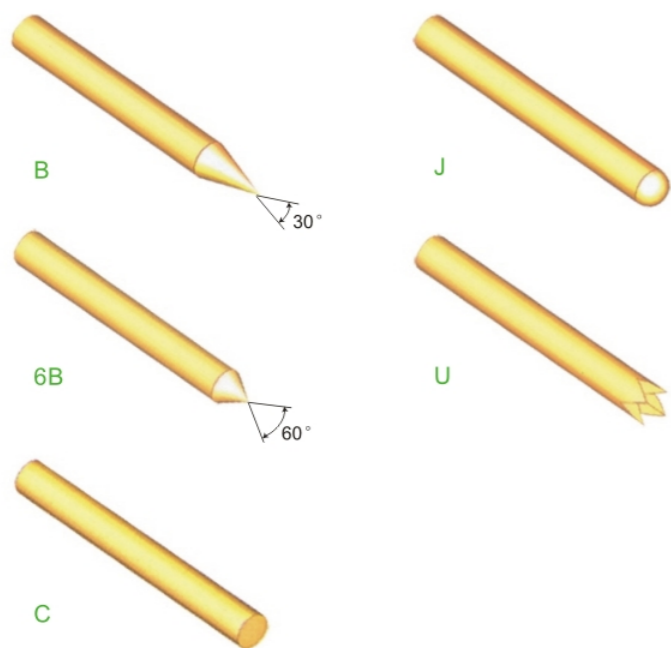
PCB探針
PCB Probes

目錄

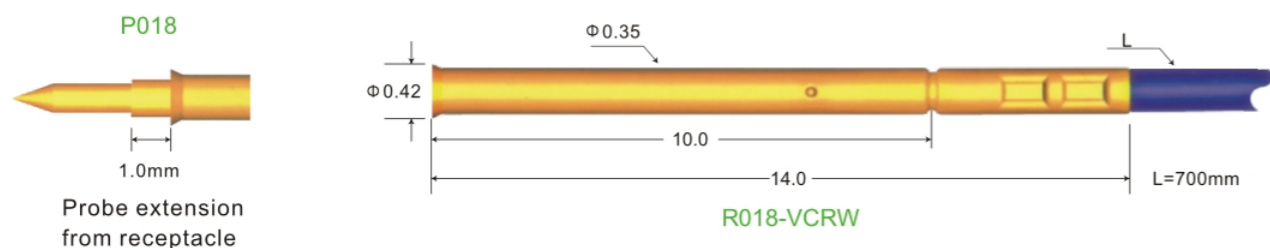
SERIES/系列	TEST CENTER 測試中心距 (mil/mm)	RECEPTACLES 針套	TYPE 針套類型	PAGE 頁碼
PCB Series-P018	18/0.46	R018	VCRW	41
PCB Series-P030	20/0.55	R030	CRW/VCRW	42
PCB Series-P035/PH035	25/0.65	R035/RH035	VCRW	43
PCB Series-P038/PH038	30/0.76	R038/RH038	CRW/SW/YCRW	44
PCB Series-P040	35/0.90	/	/	45

Tip Style(針頭)	Application(使用方式)	Tip Style(針頭)	Application(使用方式)
 A Concave	Long Leads, Terminals or Wire Wrap Posts 測試 – 導腳, 端子及繞綫柱	 LM Star	Lands, Pads or Plated Through Hole - Self-Cleaning 測試 – 導腳, 焊點或貫穿孔
 B Spear Points	Lands, Pads or Plated Through Hole 測試 – 導腳, 焊點或貫穿孔	 S Flex Tip	Contaminated Boards, Conformal Coatings or OSP 測試 – 污染板, 刺穿污染層或 OSP
 C Flat	Gold Edge Fingers, Pads - No indentations or marks 測試 – 金手指及焊墊	 T Chisel	Lands, Pads or Plated Through Hole - Self-Cleaning 測試 – 導腳, 焊點或貫穿孔
 D Spherical Radius	Gold Edge Fingers, Pads - No indentations or marks 測試 – 金手指及焊墊	 T5 Chisel Spear	Lands, Pads or Vias, Contaminated Boards or OSP - Self-Cleaning 測試 – 導腳, 焊點, 污染板或 OSP
 E Convex	Lands, Pads or Plated Through Hole 測試 – 導腳, 焊點或貫穿孔	 U 4-Point Crown	Lands, Pads, Leads or Wire Warp Posts - Self-Cleaning 測試 – 導腳, 焊墊及繞綫柱
 F Flat	Gold Edge Fingers, Pads - No indentations or marks 測試 – 金手指及焊墊	 U1 Tapered Crown	Small Pads or Lands, Contaminated Boards 測試 – 導腳, 焊墊及污染板
 G Concave	Long Leads, Terminals or Wire Wrap Posts 測試 – 導腳, 端子及繞綫柱	 V 4-Point Crown	Lands, Pads, Leads or Wire Warp Posts - Self-Cleaning 測試 – 導腳, 焊墊, 焊點及繞綫柱
 H Serrated	Lands, Pads, Leads, or Terminals 測試 – 導腳, 端子及繞綫柱	 X Tapered Crown	Lands, Pads, Leads or Plated Through Hole - Self-Cleaning 測試 – 導腳, 焊墊, 焊點及貫穿孔
 J Spherical Radius	Gold Edge Fingers, Pads - No indentations or marks 測試 – 金手指及焊墊	 Z Tulip	Lands, Pads, Leads or Plated Through Hole - Self-Cleaning 測試 – 導腳, 焊墊, 焊點及貫穿孔
 K Chisel	Lands, Pads or Plated Through Hole - Self-Cleaning 測試 – 導腳, 焊點或貫穿孔	 B3 3-Point Spear	Lands, Pads or Contaminated Boards - Self-Cleaning 測試 – 導腳, 焊墊及污

Tip Style 針頭類型



Receptacle 針套類型

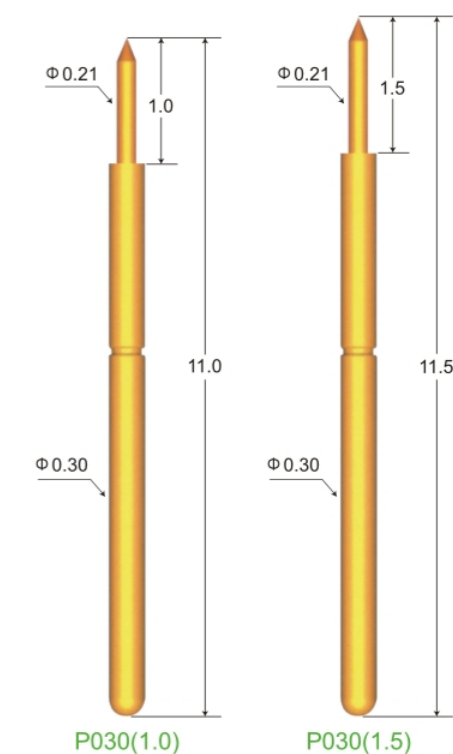
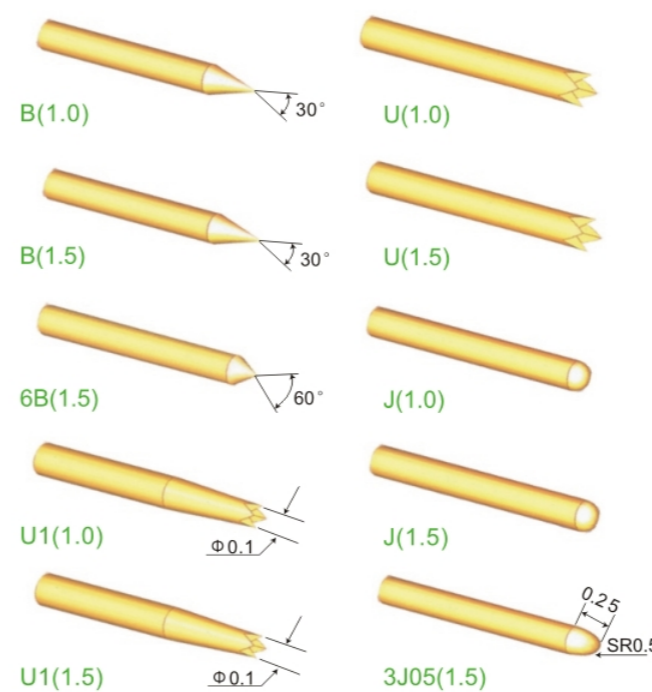


技術規格簡介 (建議採用的)		材料	
最小值中心距	0.46mm(18mil)	接觸套	磷銅, 鍍金
額定電流	0.3安培、連續	接觸筒	磷銅, 鍍金
額定電阻	250毫歐姆	彈簧	不銹鋼線或琴線鍍金
安裝孔徑	Φ0.40mm	針杆	高碳鋼 (標準) 或硬質鍍銅 (可選用), 鍍鎳或鎳上鍍金
額定衝程	1.0mm		
額定彈力	20g(0.7oz)		

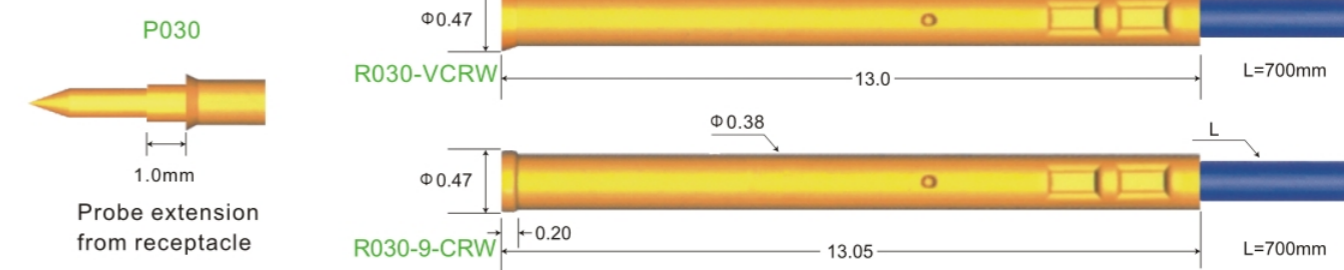
Technical Specifications(Recommended)		Materials	
Minimum Center	0.46mm(18mil)	Receptacle	Phosphor Bronze, Gold Plated
Current Rating	0.3amps, continuous	Contact Barrel	Phosphor Bronze, Gold Plated
Contact Resistance	250milliohms	Spring	Stainless Steel Wire or Music Wire, Gold Plated
Mounting Hole Size	Φ0.40mm	Plunger	High Carbon Steel(Standard) or Full-hard BeCu (Available), Nickel Plated or Gold Plated Over Nickel
Rated Stroke	1.0mm		
Spring Force	20g(0.70oz)		

How To Order(如何訂購): Spring Contact Probe(彈弓測試針)				Receptacle(針套):	
P018	B	0.7	G	R018	VCRW
P018-0	B	0.7	R		
Series	Tip Style	Spring Force(oz)	Plated Plunger (G/R)	Series	Connection
系列	針頭類型	彈力(oz)	針頭鍍金或鍍鎳	系列	連接方式

Tip Style 針頭類型



Receptacle 針套類型

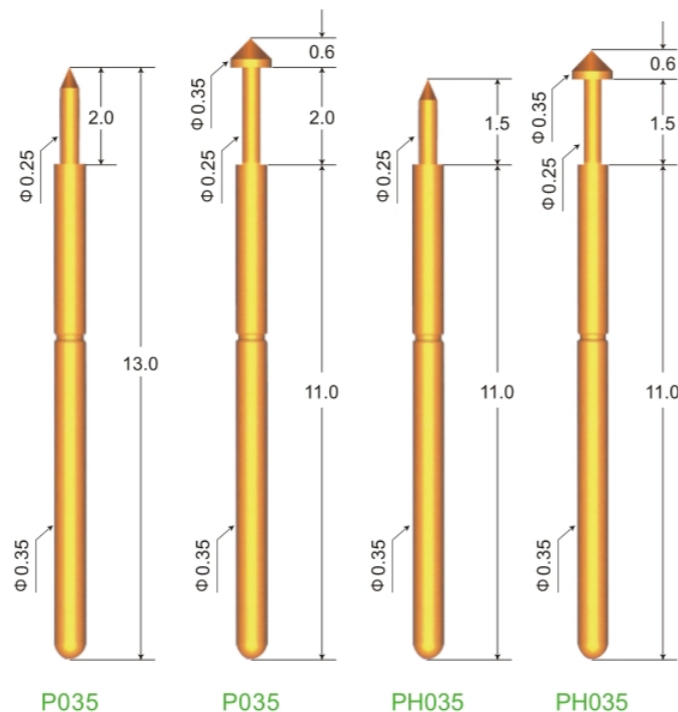
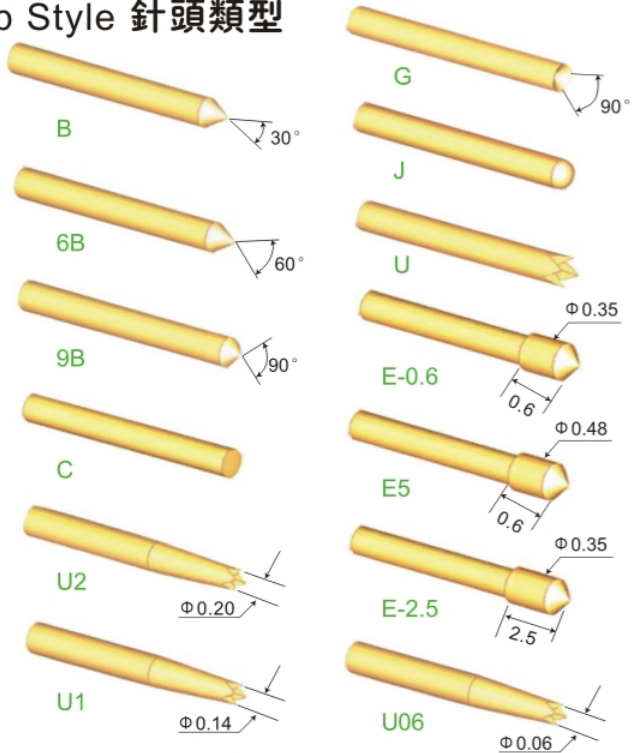


技術規格簡介 (建議採用的)		材料	
最小值中心距	0.55mm(20mil)	接觸套	磷銅, 鍍金
額定電流	0.3安培、連續	接觸筒	磷銅, 鍍金
額定電阻	200毫歐姆	彈簧	琴線, 鍍金
安裝孔徑	Φ0.45mm	針杆	高碳鋼 (標準) 或硬質鍍銅 (可選用), 鍍鎳或鎳上鍍金
額定衝程	(1.5):1.0mm(0.039") (1.0):0.67mm(0.026")		
額定彈力	22/28g(0.8/1.0oz)		

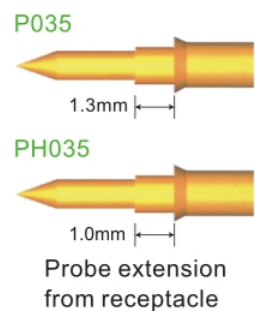
Technical Specifications(Recommended)		Materials	
Minimum Center	0.55mm(20mil)	Receptacle	Phosphor Bronze, Gold Plated
Current Rating	0.3amps, continuous	Contact Barrel	Phosphor Bronze, Gold Plated
Contact Resistance	200milliohms	Spring	Music Wire, Gold Plated
Mounting Hole Size	Φ0.45mm	Plunger	High Carbon Steel(Standard) or Full-hard BeCu (Available), Nickel Plated or Gold Plated Over Nickel
Rated Stroke	(1.5):1.0mm(0.039") (1.0):0.67mm(0.026")		
Spring Force	22/28g(0.8/1.0oz)		

How To Order(如何訂購): Spring Contact Probe(彈弓測試針)				Receptacle(針套):	
P030	B(1.0)	1	G	R030	VCRW
P030	J(1.5)	1	R	R030-9	CRW
Series	Tip Style	Spring Force(oz)	Plated Plunger (G/R)	Series	Connection
系列	針頭類型	彈力(oz)	針頭鍍金或鍍鎳	系列	連接方式

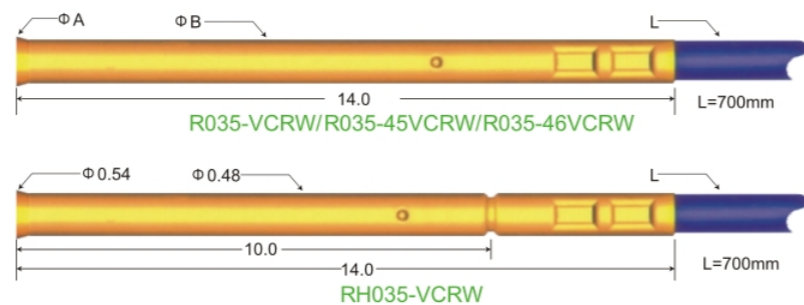
Tip Style 針頭類型



Receptacle 針套類型



Series	Dim	Φ A	Φ B max
R035-VCRW		0.52	0.49
R035-45VCRW		0.52	0.47
R035-46VCRW		0.53	0.48

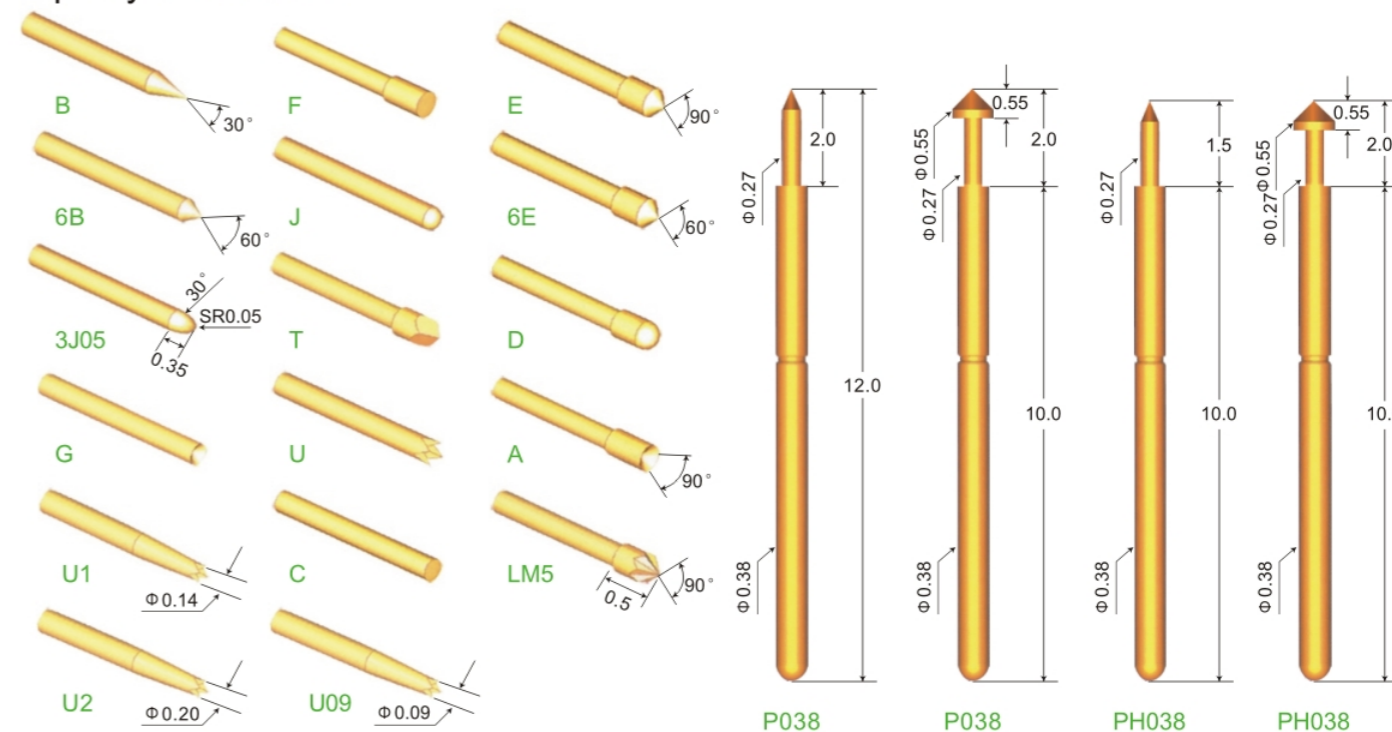


技術規格簡介 (建議採用的)		材料	
最小值中心距	0.65mm(25mil)	接觸套	磷銅, 鍍金
額定電流	0.4安培、連續	接觸筒	磷銅, 鍍金
額定電阻	180毫歐姆	彈簧	不銹鋼線或琴線鍍金
安裝孔徑	Φ 0.50mm	針杆	高碳鋼 (標準) 或硬質鍍銅 (可選用), 鍍鎳或鍍上鍍金
額定衝程	PT035:1.40mm PTH035:1.0mm		
額定彈力	PT035:14/32g(0.5/1.1oz) PTH035:14/32g(0.5/1.1oz)		

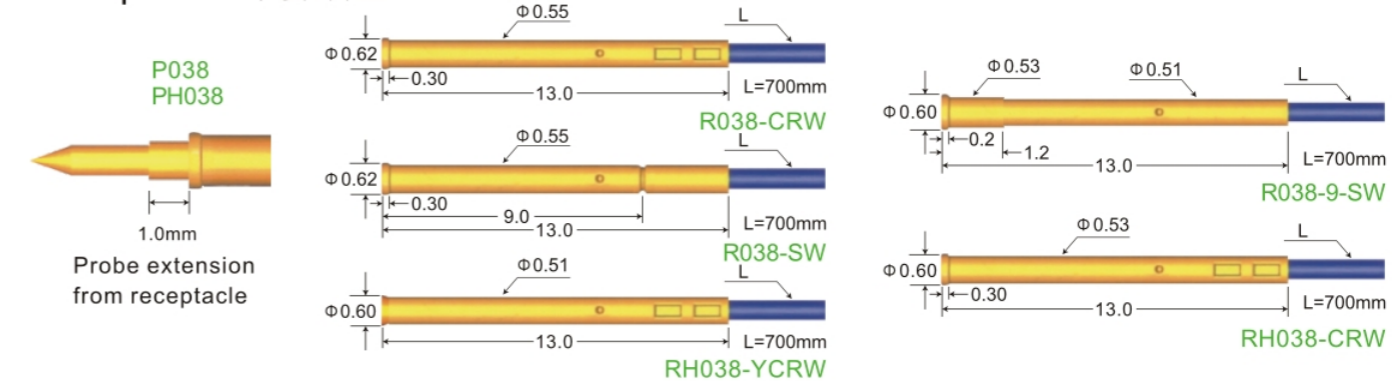
Technical Specifications(Recommended)		Materials	
Minimum Center	0.65mm(25mil)	Receptacle	Phosphor Bronze, Gold Plated
Current Rating	0.4amps, continuous	Contact Barrel	Phosphor Bronze, Gold Plated
Contact Resistance	180milliohms	Spring	Stainless Steel Wire or Music Wire, Gold Plated
Mounting Hole Size	Φ 0.50mm	Plunger	High Carbon Steel(Standard) or Full-hard BeCu(Available), Nickel Plated or Gold Plated Over Nickel
Rated Stroke	PT035:1.40mm PTH035:1.0mm		
Spring Force	PT035:14/32g(0.5/1.1oz) PTH035:14/32g(0.5/1.1oz)		

How To Order(如何訂購): Spring Contact Probe(彈弓測試針)				Receptacle(針套):	
P035	- B -	1.1	G	R035	- VCRW
P035	- E -	1.1	R	R035	- 45VCRW
PH035	- E -	0.7	G	RH035	- VCRW
Series	Tip Style	Spring Force(oz)	Plated Plunger (G/R)	Series	Connection
系列	針頭類型	彈力(oz)	針頭鍍金或鍍鎳	系列	連接方式

Tip Style 針頭類型



Receptacle 針套類型

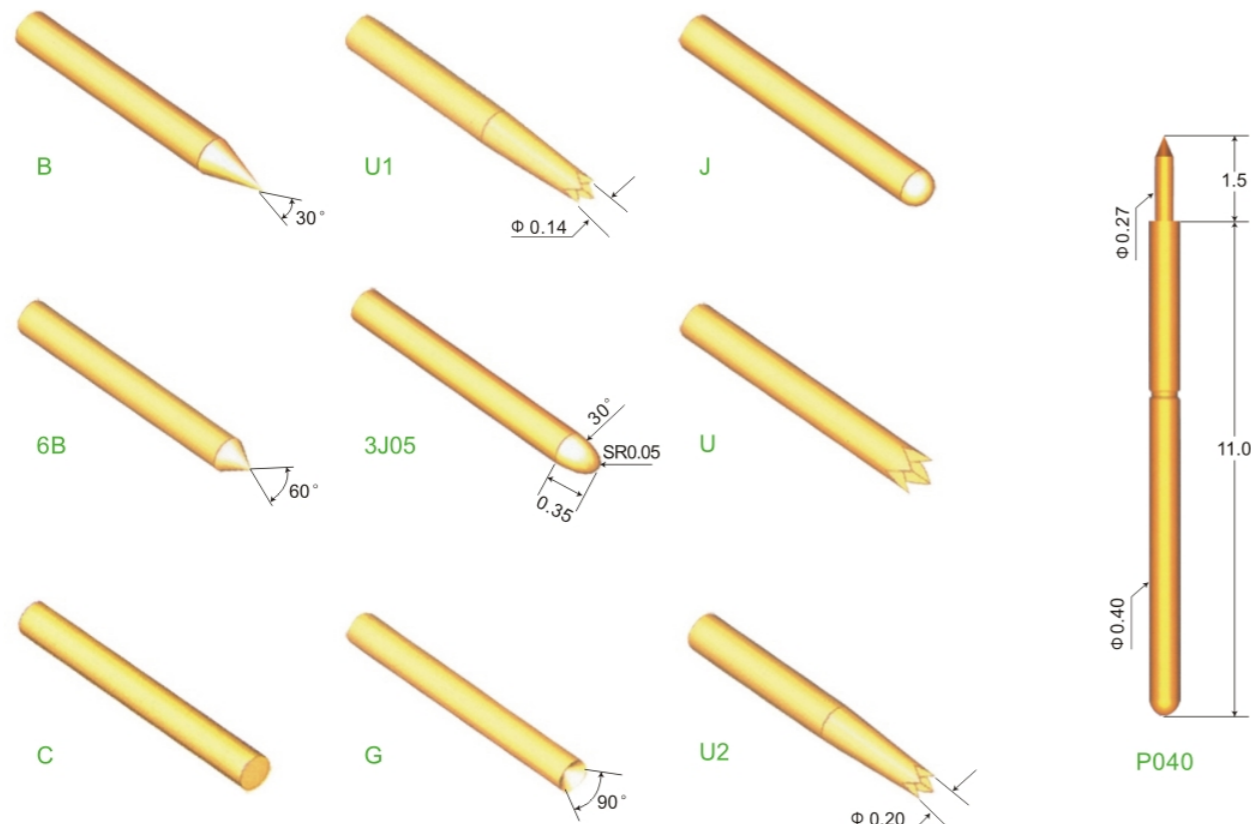


技術規格簡介 (建議採用的)		材料	
最小值中心距	0.76mm(30mil)	接觸套	黃銅, 鍍金
額定電流	0.5安培、連續	接觸筒	磷銅, 鍍金
額定電阻	150毫歐姆	彈簧	琴線, 鍍金
安裝孔徑	Φ 0.55mm(75#)/Φ 0.60mm(74#)	針杆	高碳鋼 (標準) 或硬質鍍銅 (可選用), 鍍鎳或鍍上鍍金
額定衝程	1.3mm(0.0512")		
額定彈力	11/23g(0.4/0.8oz)		

Technical Specifications(Recommended)		Materials	
Minimum Center	0.76mm(30mil)	Receptacle	Brass, Gold Plated
Current Rating	0.5amps, continuous	Contact Barrel	Phosphor Bronze, Gold Plated
Contact Resistance	150milliohms	Spring	Music Wire, Gold Plated
Mounting Hole Size	Φ 0.55mm(75#)/Φ 0.60mm(74#)	Plunger	High Carbon Steel(Standard) or Full-hard BeCu(Available), Nickel Plated or Gold Plated Over Nickel
Rated Stroke	1.3mm(0.0512")		
Spring Force	11/23g(0.4/0.8oz)		

How To Order(如何訂購): Spring Contact Probe(彈弓測試針)				Receptacle(針套):	
P038	- B -	0.8	G	R038	- CRW
PH038	- E -	1	R	RH038	- CRW
Series	Tip Style	Spring Force(oz)	Plated Plunger (G/R)	Series	Connection
系列	針頭類型	彈力(oz)	針頭鍍金或鍍鎳	系列	連接方式

Tip Style 針頭類型

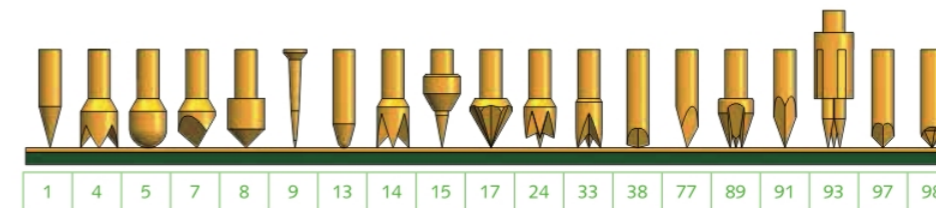


在选择测试探针的时候，选择合适的针头形状是最重要的一点。许多针头形状可用于多种应用用途。可以根据测试点（例如：平面、通孔、销钉或柱状）的几何形状进行基本分类。此外，还可以根据测试点的大小、表面状态（氧化程度、焊接过后残留物的多少）对测试点进行区分。

根据待测物以及测试条件，可能需要尝试多种针头形状和弹簧力，以确保能够找到最佳的组合。

平面

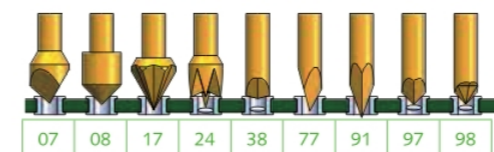
搭接 PCB 上的平面测试点。为了安全的穿透 OSP 或者脏污表面（焊接过程产生的残留物），建议使用穿透性好并具有自洁功能的针头形状（例如：针头形状 91，匕首形状）。钝型针头形状用于干净表面，并可以避免刺伤表面（例如：针头形状 05，子弹头型）。提示：为了避免损坏多层印刷电路板，需注意外层中针头形状的穿透深度（特别是当穿透力好的针头和高弹簧力组合使用时）。



常用针头形状的选择

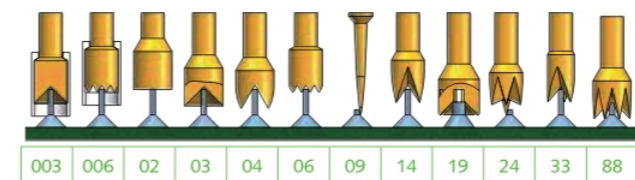
通孔

可以通过用针头的边缘去接触通孔内环四周表面，或者通过针头尖端接触通孔底部进行搭接



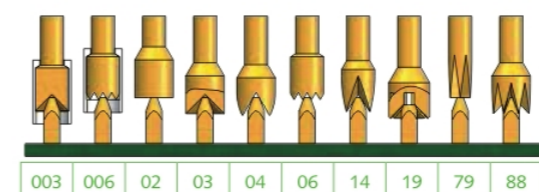
销钉

如果是销钉和元件引脚，则建议使用可自定心式的锥形针头。同样，可使用扁平、突出或外部绝缘的针头形状。



柱状、螺钉和螺栓

和销钉类似，此处也可以使用自定心型针头形状。



技術規格簡介 (建議採用的)		材料	
最小值中心距	0.90mm(35mil)	接觸筒	磷銅, 鍍金
額定電流	0.5安培、連續	彈簧	琴線, 鍍金
額定電阻	150毫歐姆	針杆	高碳鋼 (標準) 或硬質鍍銅 (可選用), 鍍鎳或鍍上鍍金
額定衝程	1.2mm		
額定彈力	25g(0.9oz)		

Technical Specifications(Recommended)		Materials	
Minimum Center	0.90mm(35mil)	Contact Barrel	Phosphor Bronze, Gold Plated
Current Rating	0.5amps, continuous	Spring	Music Wire, Gold Plated
Contact Resistance	150milliohms	Plunger	High Carbon Steel(Standard) or Full-hard BeCu(Available), Nickel Plated or Gold Plated Over Nickel
Rated Stroke	1.2mm		
Spring Force	25g(0.9oz)		

How To Order(如何訂購) : Spring Contact Probe(彈弓測試針)			
P040	- U -	0.9	G
Series 系列	Tip Style 針頭類型	Spring Force(oz) 彈力(oz)	Plated Plunger (G/R) 針頭鍍金或鍍鎳

針頭形狀編號	触点						針頭形狀	
	平面	通孔	銷釘	柱狀	干净	脏污	钝	自洁性
003			x	x	x		x	
006			x	x	x	x		x
01	x				x	x		x
02			x	x	x		x	
03			x	x	x		x	
04	x		x	x	x	x		x
05	x				x		x	
06			x	x	x	x		x
07	x	x			x	x		x
08	x	x			x	x	x	x
09	x		x		x	x		x
13	x				x		x	
14	x		x	x	x	x		x
15	x				x	x		x
17	x	x			x	x		x
19			x	x	x	x	x	x
24	x	x	x		x	x		x
33	x		x		x	x		x
38	x	x			x	x		x
77	x	x			x	x		x
79					x	x	x	x
88			x	x	x	x		x
89	x				x	x		x
91	x	x			x	x		x
93	x				x	x		x
97	x	x			x	x		x
98	x	x			x	x		x